

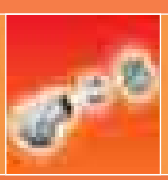
# BLOK<sup>®</sup> R2K

RACCORDI **OLEODINAMICI**



**HYDRAULIC** FITTINGS

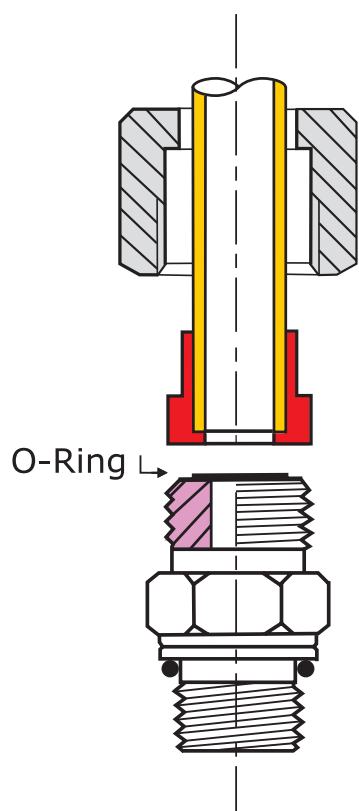
**Ro-Blok**





# Nuova Road Presenta Ro-Blok

## Nuova Road Presents Ro-Blok



● Ro-Blok

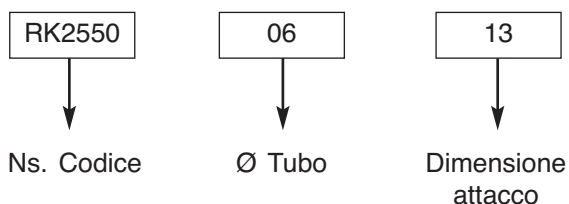
## Struttura del codice e relativo utilizzo

### Code symbols and relative use

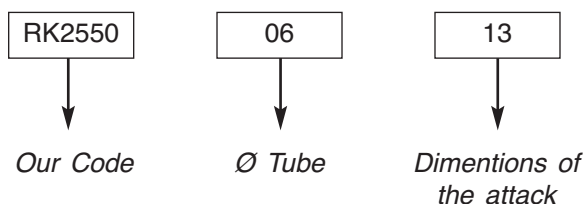
Per una corretta gestione dei vostri ordini usufruire delle seguenti indicazioni:

To handle yours orders properly, please use the following indications:

#### Esempio



#### Example



Ai fini di garantire una corretta evasione dei Vostri ordini nel più breve tempo possibile, si consiglia di attenersi ai riferimenti a catalogo. I codici indicano i prodotti solo corpo.

In order to fill your orders as soon as possible, you are kindly requested to use the catalogues references. The codes indicates only body.



## Costruzione del raccordo

### Fitting construction

**Nuova Road srl**, da sempre impegnata a seguire le innovazioni del mercato mondiale, progetta e realizza una nuova gamma di raccordi oleodinamici a tenuta frontale denominata "**RO-BLOK**".

Il nuovo prodotto viene realizzato in accordo con norme ISO 8434 e SAE J 1453 che specificano i requisiti generali, dimensionali e prestazionali dell' **O-RING** face fittings. Questi raccordi permettono di utilizzare elevate pressioni di esercizio, sia con tubi rigidi che con tubi flessibili con diametro da 6 mm fino a 38 mm, così come specificato nella norma ISO 6149-1.

Inoltre con l'utilizzo degli O-ring frontali si eliminano eventuali perdite di liquido, vibrazioni e si facilitano frequenti applicazioni.

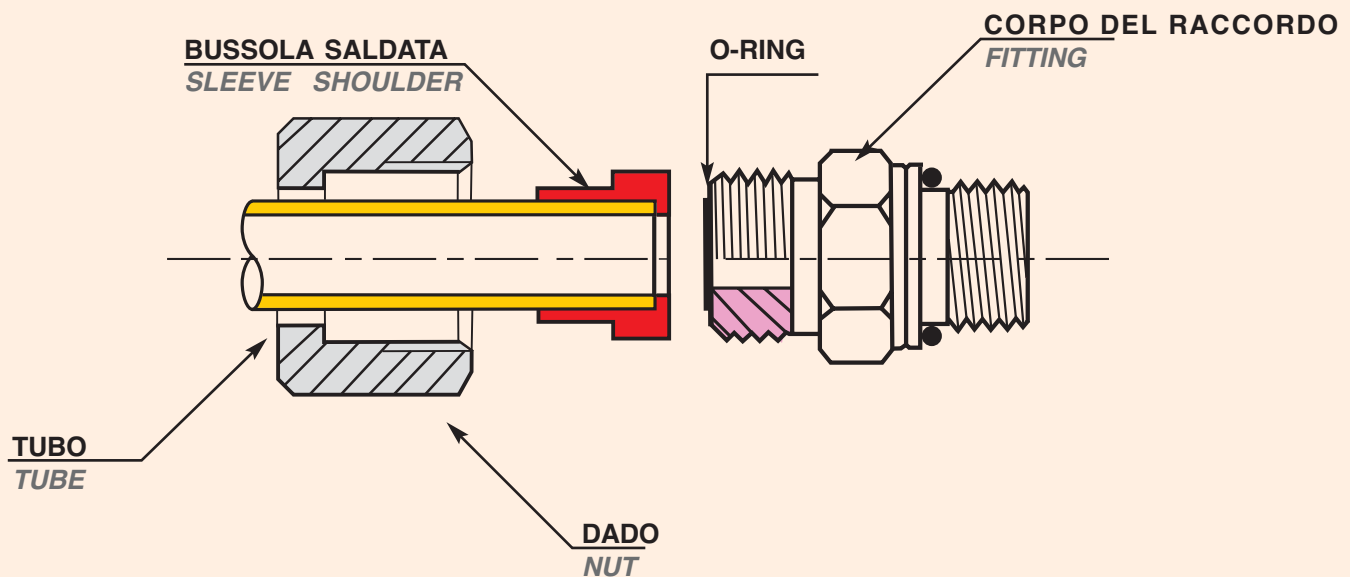
Sostituendo la bussola si possono utilizzare sia tubi metrici che tubi in pollici.

**Nuova Road Srl**, which has always paid special attention to all market requests, present the new line of oleodynamic interface fittings called "**RO-BLOK**".

The new fitting is realized according to ISO 8434 and SAE J 1453, which specify the general, dimensional and performance requirements of **O-RING** face fittings. These fittings permit to reach high working pressure levels both with steel and hose tubes with diameter from 6 mm. to 38 mm. as specified in rule 6149-1.

Furthermore the use of interface O-rings guarantee to avoid liquid leakage and vibrations, allowing at the same time frequent applications.

By changing the sleeve, these fittings can be utilized both with metric or inch tubes.



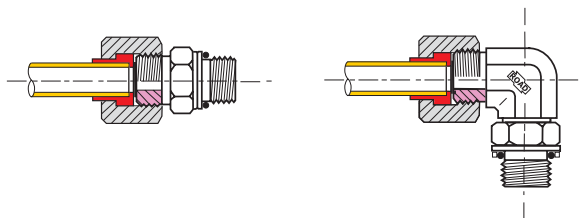
La bussola brasata, all'estremità del tubo, la rende più solidale e fornisce una maggiore resistenza alle vibrazioni e agli impulsi di pressione.

The use of a brazed sleeve at the end on the tube offer a higher endurance to the vibrations and to the pressure impulses.

# I Componenti

## The Components

- Corpo
- O-RING
- Bussola
- Dado di serraggio
- Tubi



- Body
- O-RING
- Sleeve
- Nut
- Tube

### ● Corpo e Materiale

Il corpo è realizzato in acciaio al carbonio forgiato con varie sagome (90°, T, Croce, 45°) e da barre esagonali o tonde al carbonio trafilate, con impresso il nostro logo.



### ● Body characteristics

The body is obtained from drawn bars or stamped shapes (90° - TEE - CROSS - 45°) in carbon steel with company's logo printed.

### ● O-RING

Gli o-ring sono realizzati in nitrile (nbr) con durezza shore "A" di 90 +/- 5, per impieghi a temperatura da -20°C a +100°C. Ad ogni montaggio si consiglia di sostituire gli anelli elastici.



### ● O-RING

They are made of carbon nitrile 'NBR' with hardness shore "A" 90 ± 5 valid for temperatures from -20° up to +100°.

### ● Bussola

E' ricavata da barra trafilata in acciaio al carbonio. Garantisce una più elevata resistenza alle sollecitazioni meccaniche del tubo allineando l'asse del raccordo/ tubo e ne attenua le vibrazioni.



### ● Sleeve

It's obtained from carbon steel drawn bars. It guarantees a higher endurance to the mechanical stress of the tube, lining up the fitting/tube axle and reducing the vibrations.

### ● Dado di serraggio

I dadi sono realizzati da barra trafilata in acciaio al carbonio con impresso il nostro logo.

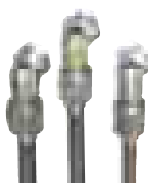


### ● Nut

It is obtained from carbon steel drawn bars marked with company's logo.

### ● Tubi

I tubi sono realizzati in acciaio al carbonio ad eccezione dei tubi in pollici. I tubi da utilizzare dovranno essere conformi alla norma ISO 3304 (senza congiunzioni e trafilati a freddo) e alla norma ISO 3305 (con congiunzioni a freddo saldate, o temperate o normalizzate). I tubi in acciaio inox, salvo quelli in pollici, dovranno essere conformi alla norma ISO 1127.



### ● Tube

The tube to be utilised, must be manufactured according to ISO 3304 (without conjunctions and cold wireworks) and ISO 3305 (with cold brazed or tempered or normalized conjunctions). The stainless steel tube, except the inches one, must be manufactured according to ISO 1127.



## Finitura

### Plating

Tutti i raccordi **Ro-Blok** sono sottoposti a trattamento galvanico (zincatura) con spessore da 0,8 a 14 micron che permette di ottenere alta resistenza alla corrosione.

Tale protezione permette di superare il test in nebbia salina della durata min. di 72h. come da norma ISO 9227.

Le bussole ed i raccordi da saldo brasare vengono protetti da una pellicola oleosa.

*All **Ro-Blok** fittings are zinc-plated with thickness from 8 to 14 micron which guarantees high endurance to the corrosion.*

*Such plating permitted to pass the time test in saline fog at 72 hours as prescribed by ISO 9227.*

*The sleeves and the fittings to be welded and brazed are instead protected by an oil film.*



## Valori di pressione

### Working pressure values

**NUOVA ROAD** garantisce che i valori di pressione risultano essere quelli stabiliti dalla norma ISO 8434.

Poichè molti fattori influenzano la pressione a cui un impianto lavora in modo soddisfacente, tali valori possono essere soggetti a lievi variazioni.

***NUOVA ROAD** guarantees that the working pressure values are those established by ISO 8434.*

*Considering that various factors contribute to establish the best working pressure values of a plant, we inform you that these values can be subject to light variations.*

Ø Tubo esterno Tube ex.		Filettatura Thread	Coppia di serraggio Assembly Torque		Pressione di lavoro Working Pressure	
mm		mm	Nm		MPA	BAR
6	1/4	9/16-18	14	16	40,0	400
8	5/16					
10	3/8	11/16-16	24	26	40,0	400
12	1/2	13/16-16	43	48	40,0	400
14						400
15						
16	5/8	1"-14	60	70	40,0	
18	3/4					400
20		1-3/16-12	90	100	40,0	
22	7/8					315
25	1"	1-7/16-12	125	140	31,5	
28						250
30						
32	1"1/4	1"11/16-12	170	190	25,0	
35						200
38	1"1/2	2"-12	200	220	25,0	

# Preparazione tubo

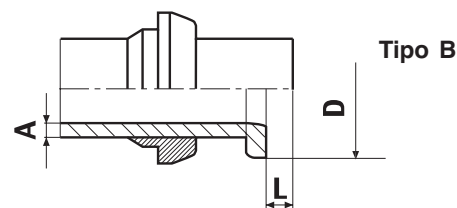
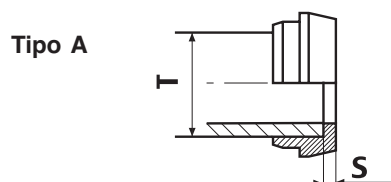
## Tube Preparation

Le tabelle qui di seguito riportate stabiliscono i diametri ed i valori di spessore della parete dei tubi.

Per ottenere la lunghezza di taglio effettiva del tubo sommare **L** o sottrarre **S** dalla lunghezza richiesta secondo la soluzione che si intende adottare.

The hereunder table mentions the tube wall thickness and diameters.

To obtain the real tube cutting length you should add **L** or deduct **S** from the effective required length according to the chosen solution A or B.



T Tubo / Tube mm	A Spessore / Thickness mm	L Nm	D		S mm
			Min.	Max	
6	1	4,6	12,2	12,75	1
	1,5	3,7			
8	1	5,1	15,1	15,75	2
	1,5	4,1			
10	1	5,1	15,1	15,75	2
	1,5	4,1			
12	1,5	3,2	18,2	18,9	1
	2	4,2			
	2,5	4,5			
14	1,5	4,6	22,6	23,45	2
	2				
	2,5				
15	1,5	4,6			
	2	4,5			
16	1,5	3,5		1,5	
	2	3,4			
	2,5	3,3			
18	1,5	5,6	26,7	27,85	1,5
	2	5,2			
20	2	3,8	26,7	27,85	1,5
	2,5	3,6			
	3	3,9			
22	2	3,8	33	34,2	3
	2,5	3,6			
	2,5	4,2			
25	3	4,5		1,5	
	4	4,9			
	2	6			
28	2,5	6,9	39,4	40,55	3
	2	5,2			
30	2,5	5			
	3	4,9			
	3	3,9			
32	3	3,9		1,5	
	4	3,9			
35	3	6,5	47,4	48,5	3,5
38	3	7,5		1,5	

# Indice - Index

Ro-Blok ISO 8434-3 - O-ring face seal fittings ISO 8434-3

## COMPONENTI COMPONENTS

**RK2000  
RK2010**



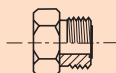
Pag. 140

**RK2015  
RK2020  
RK2025**



Pag. 141

**RK2040**



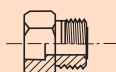
Pag. 142

**RK2050**



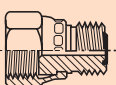
Pag. 142

**RK2060**



Pag. 143

**RK2070  
RK2075**

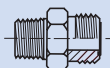


Pag. 143

## RACCORDO DIN CON ESTREMITÀ FILETTATA NPT/BSPT

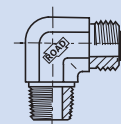
DIN UNIONS WITH  
MALE NPT/BSPT

**RK2130**



Pag. 153

**RK2500**



Pag. 160

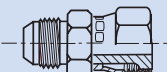
## RACCORDI SPECIALI SPECIAL UNION

**RK2076**



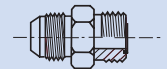
Pag. 144

**RK2078**



Pag. 144

**RK2180**



Pag. 159

## RACCORDO CON DADO GIREVOLE ORFS FILETTATURA TERMINALE BSPP/METRICO

UNION SWIVEL NUT ORFS  
WITH THREAD BSPP/METRIC

**RK2160**



Pag. 156

**RK2170**



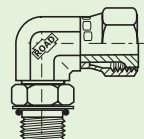
Pag. 157

**RK2175**



Pag. 158

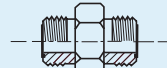
**RK2695**



Pag. 183

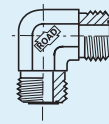
## RACCORDO INTERMEDIO ORFS UNION INTERMEDIATE ORFS

**RK2080**



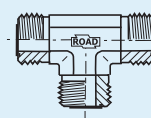
Pag. 145

**RK2510**



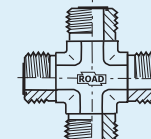
Pag. 162

**RK2520**



Pag. 163

**RK2530**

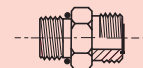


Pag. 163

## RACCORDO ORFS CON FILETTATURA UNF-2A

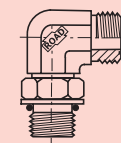
UNION ORFS  
WITH THREAD UNF-2A

**RK2090**



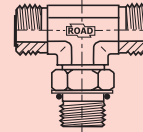
Pag. 146

**RK2540**



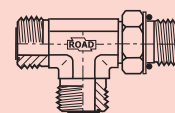
Pag. 164

**RK2580**



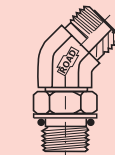
Pag. 171

**RK2620**



Pag. 175

**RK2660**



Pag. 179

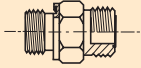


# Indice - Index

Ro-Blok ISO 8434-3 - O-ring face seal fittings ISO 8434-3

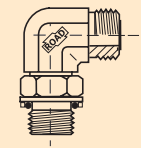
**RACCORDO ORFS  
CON FILETTATURA BSPP**  
**UNION ORFS  
WITH THREAD BSPP**

**RK2100**



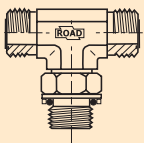
Pag. 148

**RK2550**



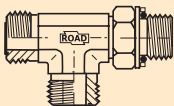
Pag. 166

**RK2590**



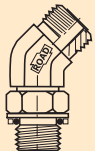
Pag. 172

**RK2630**



Pag. 176

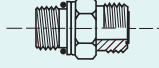
**RK2670**



Pag. 180

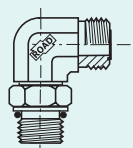
**RACCORDO ORFS CON  
FILETTATURA METRICA  
ISO 6149-2**  
**UNION ORFS WITH  
MALE THREAD METRIC  
ISO 6149-2**

**RK2110**



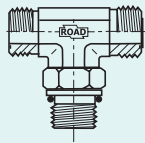
Pag. 150

**RK2560**



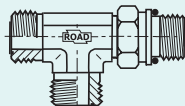
Pag. 168

**RK2600**



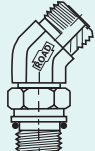
Pag. 173

**RK2640**



Pag. 177

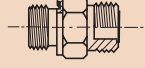
**RK2680**



Pag. 181

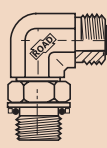
**RACCORDO ORFS CON  
FILETTATURA METRICA  
DIN 3852-1**  
**UNION ORFS WITH  
THREAD METRIC  
DIN 3852-1**

**RK2120**



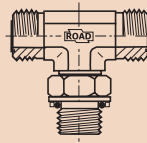
Pag. 152

**RK2570**



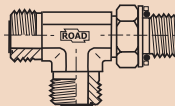
Pag. 170

**RK2610**



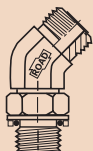
Pag. 174

**RK2650**



Pag. 178

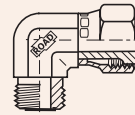
**RK2690**



Pag. 182

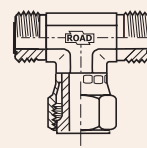
**RACCORDO ORFS  
CON DADO GIREVOLE**  
**UNION SWIVEL NUT  
WITH THREAD ORFS**

**RK2700**



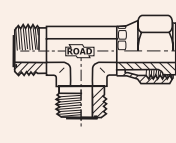
Pag. 184

**RK2710**



Pag. 185

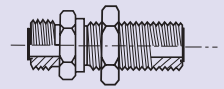
**RK2720**



Pag. 186

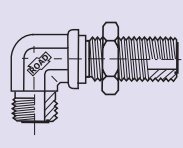
**RACCORDI ORFS  
PASSAPARATIA**  
**BULKHEAD  
ORFS UNION**

**RK2140**



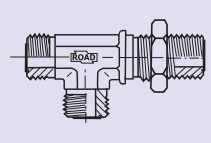
Pag. 154

**RK2730**



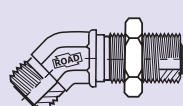
Pag. 187

**RK2740**



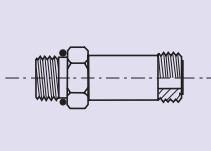
Pag. 188

**RK2750**



Pag. 189

**RK2150**

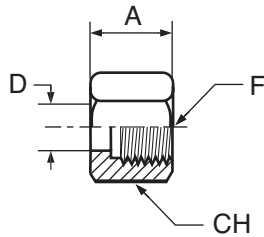


Pag. 155



## RK2000

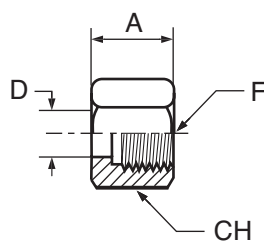
**DADO METRICO**  
**METRIC NUT**



T	T	CODE	F	A	D	CH
Ø mm	Ø Poll.			mm	mm	mm
06	1/4	RK2000-06	9/16-18	14.5	10.5	17
08	5/16	RK2000-08	11/16-16	17	13.5	22
10	3/8	RK2000-10	11/16-16	17	13.5	22
12	1/2	RK2000-12	13/16-16	20	16.6	24
14		RK2000-14	1-14	24	21.1	30
15		RK2000-15	1-14	24	21.1	30
16	5/8	RK2000-16	1-14	24	21.1	30
18		RK2000-18	1-3/16-12	26.5	24.15	36
20		RK2000-20	1-3/16-12	26.5	24.15	36
22	1"	RK2000-22	1-7/16-12	27.5	29.1	41
25	1"	RK2000-25	1-7/16-12	27.5	29.1	41
28		RK2000-28	1-11/16-12	27.5	36	50
30		RK2000-30	1-11/16-12	27.5	36	50
32	1"1/4	RK2000-32	1-11/16-12	27.5	36	50
35		RK2000-35	2-12	27.5	44	60
38	1"1/2	RK2000-38	2-12	27.5	44	60

## RK2010

**DADO WITHWORT**  
**WITHWORT NUT**



T	T	CODE	F	A	D	CH
Ø mm	Ø Poll.			mm	mm	mm
06	1/4	RK2010-06	9/16-18	14.5	10.5	17
08	5/16	RK2010-08	11/16-16	17	13.5	22
10	3/8	RK2010-10	11/16-16	17	13.5	22
12	1/2	RK2010-12	13/16-16	20	16.6	24
14		RK2010-14	1-14	24	21.1	30
15		RK2010-15	1-14	24	21.1	30
16	5/8	RK2010-16	1-14	24	21.1	30
18		RK2010-18	1-3/16-12	26.5	24.2	36
20		RK2010-20	1-3/16-12	26.5	24.2	36
22	1"	RK2010-22	1-7/16-12	27.5	29.1	41
25	1"	RK2010-25	1-7/16-12	27.5	29.1	41
28		RK2010-28	1-11/16-12	27.5	36	50
30		RK2010-30	1-11/16-12	27.5	36	50
32	1"1/4	RK2010-32	1-11/16-12	27.5	36	50
35		RK2010-35	2-12	27.5	44	60
38	1"1/2	RK2010-38	2-12	27.5	44	60

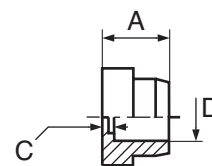


T	CODE	D	A	C
Ø mm	RK2015	mm	mm	mm
06	RK2015-06	6.15	9.5	1
08	RK2015-08	8.15	9.5	1
10	RK2015-10	10.15	9.5	1
12	RK2015-12	12.15	9.5	1
14	RK2015-14	14.15	10.5	1.5
15	RK2015-15	15.15	10.5	1.5
16	RK2015-16	16.15	10.5	1.5
18	RK2015-18	18.18	14	1.5
20	RK2015-20	20.18	14	1.5
22	RK2015-22	22.18	15.5	1.5
25	RK2015-25	25.18	15.5	1.5
28	RK2015-28	28.2	15.5	2.25
30	RK2015-30	30.2	15.5	2.25
32	RK2015-32	30.2	15.5	2.25
35	RK2015-35	35.2	15.5	2.25
38	RK2015-38	38.2	15.5	2.25

CODE	D	A
RK2025	mm	mm
RK2025-06	6.15	7.5
RK2025-08	8.15	8.5
RK2025-10	10.15	8.5
RK2025-12	12.15	10.5
RK2025-14	14.15	10.5
RK2025-15	15.15	10.5
RK2025-16	16.15	10.5
RK2025-18	18.18	12
RK2025-20	20.18	12
RK2025-22	22.18	13.5
RK2025-25	25.18	13.5
RK2025-28	28.2	13
RK2025-30	30.2	13
RK2025-32	30.2	13
RK2025-35	35.2	12.5
RK2025-38	38.2	12.5

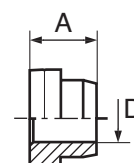
## RK2015

BUSSOLA METRICA A SALDARE  
BRAZING METRIC SLEEVE



## RK2025

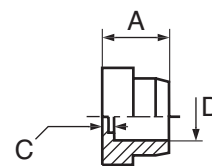
BUSSOLA METRICA LISCIA  
SMOOTH METRIC SLEEVE



T	W	CODE	D	A	C
Ø mm	mm		mm	mm	mm
06	1/4	RK2020-06	6.5	9.5	1
08	5/16	RK2020-08	8.15	9.5	1
10	3/8	RK2020-10	9.65	9.5	1
12	1/2	RK2020-12	12.85	9.5	1
14		RK2020-14	14.15	10.5	1.5
15		RK2020-15	15.15	10.5	1.5
16	5/8	RK2020-16	15.87	10.5	1.5
18		RK2020-18	18.18	14	1.5
20	3/4	RK2020-20	19.20	14	1.5
22		RK2020-22	22.18	15.5	1.5
25	1"	RK2020-25	25.4	15.5	1.5
28		RK2020-28	28.2	15.5	2.25
30		RK2020-30	30.2	15.5	2.25
32	1 1/4	RK2020-32	31.75	15.5	2.25
35		RK2020-35	35.2	15.5	2.25
38	1 1/2	RK2020-38	38.1	15.5	2.25

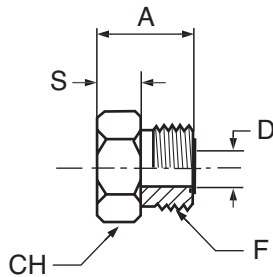
## RK2020

BUSSOLA WITHWORT A SALDARE  
BRAZING WITHWORT SLEEVE



## RK2040

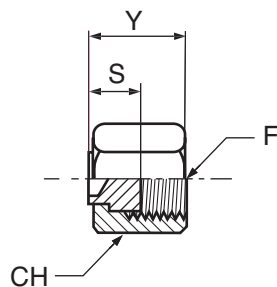
**TAPPO MASCHIO**  
**MALE PLUG**



T	T	CODE	F	A	S	D	CH
Ø mm	Ø Poll.			mm	mm	mm	mm
06	1/4	RK2040-06	9/16-18	16.5	6.5	5	17
08	5/16	RK2040-08	11/16-16	19	8	6.5	19
10	3/8	RK2040-10	11/16-16	19	8	6.5	19
12	1/2	RK2040-12	13/16-16	22	9	9.5	22
14		RK2040-14	1-14	26	10.5	12.5	27
15		RK2040-15	1-14	26	10.5	12.5	27
16	5/8	RK2040-16	1-14	26	10.5	12.5	27
18		RK2040-18	1-3/16-12	27.5	10.5	15.5	32
20	3/4	RK2040-20	1-3/16-12	27.5	10.5	15.5	32
22		RK2040-22	1-7/16-12	28	10.5	20.5	41
25	1"	RK2040-25	1-7/16-12	28	10.5	20.5	41
28		RK2040-28	1-11/16-12	28	10.5	26	46
30		RK2040-30	1-11/16-12	28	10.5	26	46
32	1"1/4	RK2040-32	1-11/16-12	28	10.5	26	46
35		RK2040-35	2-12	28	10.5	32	55
38	1"1/2	RK2040-38	2-12	28	10.5	32	55

## RK2050

**TAPPO FEMMINA**  
**FEMALE PLUG**



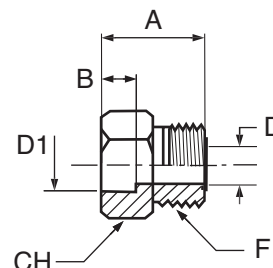
T	T	CODE	F	Y	S	CH
Ø mm	Ø Poll.			mm	mm	mm
06	1/4	RK2050-06	9/16-18	16.5	8.5	17
08	5/16	RK2050-08	11/16-16	18	9.5	22
10	3/8	RK2050-10	11/16-16	18	8	22
12	1/2	RK2050-12	13/16-16	22	12	24
14		RK2050-14	1-14	24.5	12	30
15		RK2050-15	1-14	24.5	12	30
16	5/8	RK2050-16	1-14	24.5	12	30
18		RK2050-18	1-3/16-12	27	13.5	36
20	3/4	RK2050-20	1-3/16-12	27	13.5	36
22		RK2050-22	1-7/16-12	28.5	15	41
25	1"	RK2050-25	1-7/16-12	28.5	15	41
28		RK2050-28	1-11/16-12	28.5	15	50
30		RK2050-30	1-11/16-12	28.5	15	50
32	1"1/4	RK2050-32	1-11/16-12	28.5	15	50
35		RK2050-35	2-12	28.5	15	60
38	1"1/2	RK2050-38	2-12	28.5	15	60



## RK2060

TAPPO MASCHIO A SALDARE  
MALE PLUG BRAZE

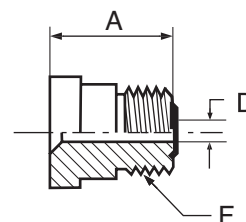
T	T	CODE	F	A	S	D1	D	CH
Ø mm	Ø Poll.			mm	mm	mm	mm	mm
06	1/4	RK2060-06-06	9/18-18	22	8.5	6.15	5	17
06	1/4	RK2060-06-10	9/16-18	22	8.5	10.15	5	17
10	3/8	RK2060-10-10	11/16-16	23	8.5	10.15	6.5	19
10	3/8	RK2060-10-12	11/16-16	23	8.5	12.15	6.5	19
12	1/2	RK2060-12-12	13/16-16	24.5	8.5	12.15	9.5	22
12	1/2	RK2060-12-16	13/16-16	24.5	8.5	16.15	9.5	22
16	5/8	RK2060-16-16	1-14	27.5	9.5	16.15	12.5	27
16	5/8	RK2060-16-18	1-14	27.5	9.5	18.15	12.5	27
20	3/4	RK2060-20-18	1-3/16-12	33.5	12.5	18.15	15.5	32
20	3/4	RK2060-20-20	1-3/16-12	33.5	12.5	20.15	15.5	32



T	T	CODE	F	F1	A	D	CH	Y
Ø mm	Ø Poll.				mm	mm	mm	mm
12-06	1/2-1/4	RK2070-06-12	9/16-18	13/16-16	22	5	24	
16-06	5/8-1/4	RK2070-06-16	9/16-18	1-14	23	5	30	
16-12	5/8-1/2	RK2070-12-16	13/16-16	1-14	26	9.5	30	
20-12	3/4-1/2	RK2070-12-20	13/16-16	1-3/16-12	27.5	9.5	36	
25-12	1"-1/2	RK2070-12-25	13/16-16	1-7/16-12	29	9.5	41	
25-16	1"-5/8	RK2070-16-25	1-14	1-7/16-12	32	12.5	41	
32-20	1"1/4-3/4	RK2070-20-32	1-3/16-12	1-11/16-12	33.5	15.5	50	
38-25	1"1/2-1"	RK2070-25-38	1-7/16-12	2-12	34	20.5	60	
38-32	1"1/2-1"1/4	RK2070-32-38	1-11/16-12	2-12	34	26	60	
10-06	3/8-1/4	RK2075-06-10	9/16-18	11/16-16	19.5	5	22	22.5
12-10	1/2-3/8	RK2075-10-12	11/16-18	13/16-16	22.5	6.5	24	24
20-16	3/4-5/8	RK2075-16-20	1-14	1-3/16-12	29.45	12.5	36	32
25-20	1"-3/4	RK2075-20-25	1-3/16-12	1-7/16-12	33	15.5	41	37
32-25	1"1/4-1"	RK2075-25-32	1-7/16-12	1-11/16-12	38.45	20.5	50	40.5

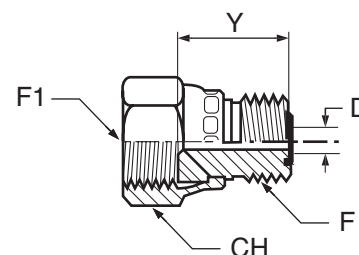
## RK2070

RACCORDO DI RIDUZIONE FORMA A  
UNION WITH REDUCING SHAPE A



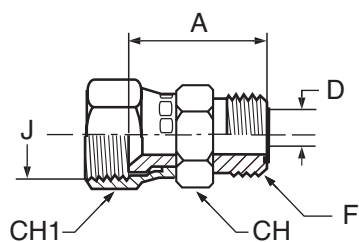
## RK2075

RACCORDO DI RIDUZIONE FORMA B  
UNION WITH REDUCING SHAPE B



## RK2076

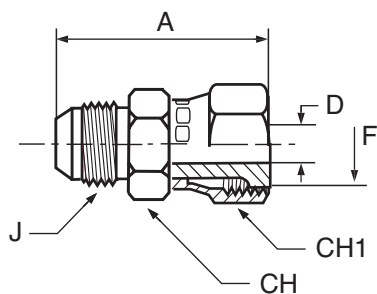
RACCORDO DIRITTO ORFS CON  
DADO GIREVOLE FEMMINA JIC  
STRAIGHT UNIONS ORFS WITH JIC  
37° SWIVELNUT



T	T	CODE	F	J	A	D	CH	CH1
Ø mm	Ø Poll.				mm	mm	mm	mm
06	1/4	RK2076-06-11	9/16-18	7/16-20	26.5	5	16	15
08	5/16	RK2076-08-14	11/16-16	9/16-18	29	6.5	19	19
10	3/8	RK2076-10-14	11/16-16	9/16-18	29	6.5	19	19
12	1/2	RK2076-12-19	13/16-16	3/4-16	33.5	9.5	22	24
14		RK2076-14-22	1-14	7/8-14	39	12.5	30	27
15		RK2076-15-22	1-14	7/8-14	39	12.5	30	27
16	5/8	RK2076-16-22	1-14	7/8-14	39	12.5	30	27
18		RK2076-18-20	1-3/16-12	1-1/16-12	41.5	15.5	32	32
20	3/4	RK2076-20-20	1-3/16-12	1-1/16-12	41.5	20.5	32	32
22		RK2076-22-25	1-7/16-12	1-5/16-12	45.5	20.5	38	41
25	1"	RK2076-25-25	1-7/16-12	1-5/16-12	45.5	20.5	38	41

## RK2078

RACCORDO DIRITTO MASCHIO  
JIC CON DADO GIREVOLE ORFS  
MALE JIC 37° WITH ORFS  
SWIVEL NUT

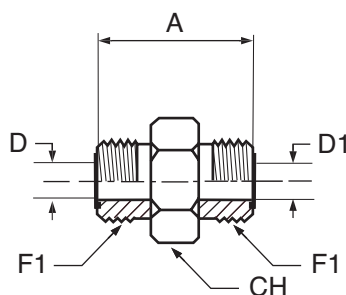


T	T	CODE	F	J	A	D	CH	CH
Ø mm	Ø Poll.				mm	mm	mm	mm
06	1/4	RK2078-06-11	9/16-18	7/16-20	38	4.35	16	19
08	5/16	RK2078-08-14	11/16-16	9/16-18	41	6.75	19	22
10	3/8	RK2078-10-14	11/16-16	9/16-18	40	6.75	19	22
12	1/2	RK2078-12-19	13/16-16	3/4-16	48	9.6	22	24
14		RK2078-14-22	1-14	7/8-14	56	12.3	28	30
15		RK2078-15-22	1-14	7/8-14	56	12.3	28	30
16	5/8	RK2078-16-22	1-14	7/8-14	56	12.3	28	30
18		RK2078-18-20	1-3/16-12	1-1/16-12	63.5	12.5	32	36
20	3/4	RK2078-20-20	1-3/16-12	1-1/16-12	63.5	12.5	32	36
22		RK2078-22-25	1-7/16-12	1-5/16-12	67.5	20	38	46
25	1"	RK2078-25-25	1-7/16-12	1-5/16-12	67.5	20	38	46



# RK2080

RACCORDO INTERMEDIO MASCHIO  
STRAIGHT INTERMEDIATE UNIONS



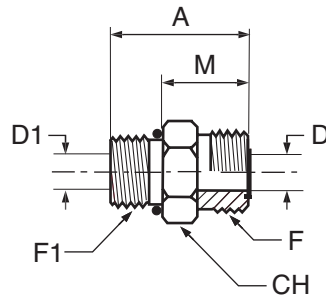
T	T	CODE	F	F1	A	D	D1	CH	Pressure	
Ø mm	Ø Poll.				mm	mm	mm	mm	Wp	Max
06	1/4	RK2080-06-06	9/16-18	9/16-18	27.5	5	5	17	630	840
08	5/16	RK2080-08-08	11/16-16	11/16-16	31	6.5	6.5	19	630	840
10	3/8	RK2080-10-06	11/16-16	9/16-16	29.5	6.5	5	19	630	840
10	3/8	RK2080-10-10	11/16-16	11/16-16	31	6.5	6.5	19	630	840
12	1/2	RK2080-12-10	13/16-16	11/16-16	34	9.5	6.5	22	630	840
12	1/2	RK2080-12-12	13/16-16	13/16-16	35.5	9.5	9.5	22	630	840
14		RK2080-14-14	1-14	1-14	42.5	12.5	12.5	27	400	530
15		RK2080-15-15	1-14	1-14	42.5	12.5	12.5	27	400	530
16	5/8	RK2080-16-12	1-14	13/16-16	40	12.5	9.5	27	400	530
16	5/8	RK2080-16-16	1-14	1-14	42.5	12.5	12.5	27	400	530
18		RK2080-18-18	1-3/16-12	1-3/16-12	47	15.5	15.5	32	400	530
20	3/4	RK2080-20-16	1-3/16-12	1-14	45.5	15.5	12.5	32	400	530
20	3/4	RK2080-20-20	1-3/16-12	1-3/16-12	47	15.5	15.5	32	400	530
22		RK2080-22-22	1-7/16-12	1-7/16-12	49.5	20.5	20.5	41	400	530
25	1"	RK2080-25-20	1-7/16-12	1-3/16-12	49.5	20.5	15.5	41	400	530
25	1"	RK2080-25-25	1-7/16-12	1-7/16-12	49.5	20.5	20.5	41	400	530
28		RK2080-28-28	1-11/16-12	1-11/16-12	51.5	26	26	46	250	330
30		RK2080-30-30	1-11/16-12	1-11/16-12	51.5	26	26	46	250	330
32	1"1/4	RK2080-32-32	1-11/16-12	1-11/16-12	51.5	26	26	46	250	330
35		RK2080-35-35	2-12	2-12	53	32	32	55	250	330
38	1"1/2	RK2080-38-38	2-12	2-12	53	32	32	55	250	330



# RK2090

RACCORDO DIRITTO ORFS CON  
FILETTATURA TERMINALE  
MASCHIO UNF-2A

STRAIGHT END UNIONS ORFS WITH  
MALE SAE CONNECTION



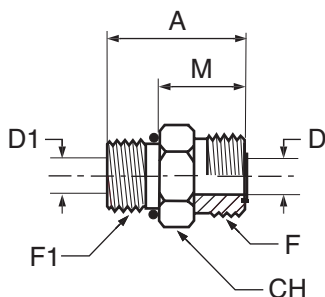
T	T	CODE	F	F1	A	M	D	D1	CH	Pressure	
Ø mm	Ø Poll.				mm	mm	mm	mm	mm	Wp	Max
06	1/4	RK2090-06-11	9/16-18	7/16-20	28.7	18.7	5	5	17	630	840
06	1/4	RK2090-06-14	9/16-18	9/16-18	30.5	18.5	5	5	19	630	840
06	1/4	RK2090-06-19	9/16-18	3/4-16	33.5	19.5	5	6.5	22	630	840
08	5/16	RK2090-08-11	11/16-16	7/16-20	32	21	6.5	5	19	630	840
08	5/16	RK2090-08-14	11/16-16	9/16-18	32	21	6.5	5	19	630	840
08	5/16	RK2090-08-19	11/16-16	3/4-16	35	21	6.5	6.5	22	630	840
08	5/16	RK2090-08-22	11/16-16	7/8-14	38.8	28	6.5	6.5	27	630	840
10	3/8	RK2090-10-11	11/16-16	7/16-20	34	23	6.5	5	19	630	840
10	3/8	RK2090-10-14	11/16-16	9/16-18	32	21	6.5	5	19	630	840
10	3/8	RK2090-10-19	11/16-16	3/4-16	35	21	6.5	6.5	22	630	840
10	3/8	RK2090-10-22	11/16-16	7/8-14	38.8	28	6.5	6.5	27	630	840
12	1/2	RK2090-12-14	13/16-16	9/16-18	37.5	26.5	9.5	6.5	22	630	840
12	1/2	RK2090-12-19	13/16-16	3/4-16	36.5	22.5	9.5	9.5	22	630	840
12	1/2	RK2090-12-22	13/16-16	7/8-14	40.4	24.4	9.5	9.5	27	630	840
12	1/2	RK2090-12-27	13/16-16	1-1/16-12	44.4	25.9	9.5	9.5	32	400	530
12	1/2	RK2090-12-33	13/16-16	1-5/16-12	45.5	27	9.5	9.5	38	400	530
14		RK2090-14-19	1-14	3/4-16	45	31	12.5	9.5	27	400	530
14		RK2090-14-22	1-14	7/8-14	43	27	12.5	12.5	27	400	530
14		RK2090-14-27	1-14	1-1/16-12	47	28.5	12.5	12.5	32	400	530
15		RK2090-15-19	1-14	3/4-16	45	31	12.5	9.5	27	400	530
15		RK2090-15-22	1-14	7/8-14	43	27	12.5	12.5	27	400	530
15		RK2090-15-27	1-14	1-1/16-12	47	28.5	12.5	12.5	32	400	530
16	5/8	RK2090-16-19	1-14	3/4-16	45	31	12.5	9.5	27	400	530
16	5/8	RK2090-16-22	1-14	7/8-14	43	27	12.5	12.5	27	400	530
16	5/8	RK2090-16-27	1-14	1-1/16-12	47	28.5	12.5	12.5	32	400	530



# RK2090

RACCORDO DIRITTO ORFS CON  
FILETTATURA TERMINALE  
MASCHIO UNF-2A

STRAIGHT END UNIONS ORFS WITH  
MALE SAE CONNECTION

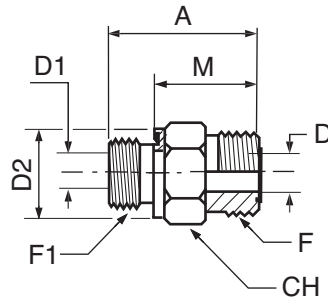


T	T	CODE	F	F1	A	M	D	D1	CH	Pressure	
Ø mm	Ø Poll.				mm	mm	mm	mm	mm	Wp	Max
18		RK2090-18-19	1-3/16-12	3/4-16	48.5	34.5	15.5	9.5	32	400	530
18		RK2090-18-22	1-3/16-12	7/8-14	50.5	34.5	15.5	15.5	32	400	530
18		RK2090-18-27	1-3/16-12	1-1/16-12	48.5	30	15.5	15.5	32	400	530
18		RK2090-18-33	1-3/16-12	1-5/16-12	50	31.5	15.5	15.5	38	400	530
20	3/4	RK2090-20-19	1-3/16-12	3/4-16	48.5	34.5	15.5	9.5	32	400	530
20	3/4	RK2090-20-22	1-3/16-12	7/8-14	50.5	34.5	15.5	15.5	32	400	530
20	3/4	RK2090-20-27	1-3/16-12	1-1/16-12	50.5	30	15.5	15.5	32	400	530
20	3/4	RK2090-20-33	1-3/16-12	1-5/16-12	50.5	31.5	15.5	15.5	38	400	530
22		RK2090-22-27	1-7/16-12	1-1/16-12	56	37.5	20.5	15.5	38	400	530
22		RK2090-22-33	1-7/16-12	1-5/16-12	50.5	32	25	25	38	400	530
22		RK2090-22-41	1-7/16-12	1-5/8-12	52.5	34	20.5	20.5	46	250	330
25	1"	RK2090-25-33	1-7/16-12	1-5/16-12	50.5	32	25	25	38	400	530
25	1"	RK2090-25-41	1-7/16-12	1-5/8-12	52.5	34	20.5	20.5	46	250	330
28		RK2090-28-33	1-11/16-12	1-5/16-12	58	39.5	26	20.5	46	250	330
28		RK2090-28-41	1-11/16-12	1-5/8-12	52.5	34	26	26	46	250	330
28		RK2090-28-48	1-11/16-12	1-7/8-12	54	35.5	26	26	54	250	330
30		RK2090-30-33	1-11/16-12	1-5/16-12	58	39.5	26	20.5	48	250	330
30		RK2090-30-41	1-11/16-12	1-5/8-12	52.5	34	26	26	46	250	330
30		RK2090-30-48	1-11/16-12	1-7/8-12	54	35.5	26	26	54	250	330
32		RK2090-32-33	1-11/16-12	1-5/16-12	58	39.5	26	20.5	48	250	330
32	1"1/4	RK2090-32-41	1-11/16-12	1-5/8-12	52.5	34	26	26	46	250	330
32	1"1/4	RK2090-32-48	1-11/16-12	1-7/8-12	54	35.5	26	26	55	250	330
35		RK2090-35-41	2-12	1-5/8-12	59.5	41	32	26	55	250	330
35		RK2090-35-48	2-12	1-7/8-12	54	35.5	32	32	55	250	330
38	1"1/2	RK2090-38-41	2-12	1-5/8-12	59.5	41	32	26	55	250	330
38	1"1/2	RK2090-38-48	2-12	1-7/8-12	59.5	35.5	32	32	55	250	330



# RK2100

**RACCORDO DIRITTO ORFS CON  
FILETTATURA TERMINALE BSPP  
STRAIGHT END UNIONS WITH MALE  
BSPP CONNECTION**

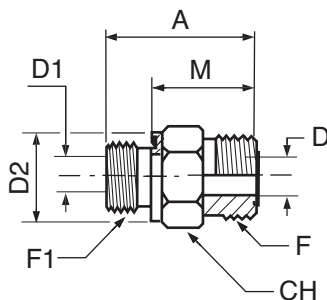


T	T	CODE	F	F1	A	M	D	D1	CH	D2	Pressure	
Ø mm	Ø Poll.				mm	mm	mm	mm	mm	mm	Wp	Max
06	1/4	RK2100-06-10	9/16-18	1/8-28	25.5	17.5	5	4	17	14	630	840
06	1/4	RK2100-06-13	9/16-18	1/4-19	30.5	18.5	5	4.4	19	19	630	840
06	1/4	RK2100-06-17	9/16-18	3/8-19	31.5	19.5	5	4.4	22	22	630	840
06	1/4	RK2100-06-21	9/16-18	1/2-14	35.5	24.5	5	4.4	27	27	630	840
08	5/16	RK2100-08-10	11/16-16	1/8-28	31	23	6.5	4	19	19	630	840
08	5/16	RK2100-08-13	11/16-16	1/4-19	32	20	6.5	6.5	19	19	630	840
08	5/16	RK2100-08-17	11/16-16	3/8-19	33	21.5	6.5	4.4	22	22	630	840
08	5/16	RK2100-08-21	11/16-16	1/2-14	37	24.5	6.5	6.5	27	27	630	840
08	5/16	RK2100-08-26	11/16-16	3/4-14	40.5	24.5	6.5	6.5	32	32	400	530
10	3/8	RK2100-10-10	11/16-16	1/8-28	31	23	6.5	4	19	14	630	840
10	3/8	RK2100-10-13	11/16-16	1/4-19	32	20	6.5	6.5	19	19	630	840
10	3/8	RK2100-10-17	11/16-16	3/8-16	33	21.5	6.5	6.5	22	22	630	840
10	3/8	RK2100-10-21	11/16-16	1/2-14	37	24.5	6.5	6.5	27	27	630	840
10	3/8	RK2100-10-26	11/16-16	3/4-14	40.5	24.5	6.5	6.5	32	32	400	530
12	1/2	RK2100-12-13	13/16-16	1/4-19	34.5	25.5	9.5	5	22	19	630	840
12	1/2	RK2100-12-17	13/16-16	3/8-19	34.5	22.5	9.5	8	22	22	630	840
12	1/2	RK2100-12-21	13/16-16	1/2-14	38.5	24.5	9.5	9.5	27	27	630	840
12	1/2	RK2100-12-26	13/16-16	3/4-14	42	26	9.5	9.5	32	32	400	530
14		RK2100-14-17	1-14	3/8-19	43	32	12.5	8	27	22	400	530
14		RK2100-14-21	1-14	1/2-14	41	27	12.5	12.5	27	27	400	530
14		RK2100-14-26	1-14	3/4-14	44.5	28.5	12.5	12.5	32	32	400	530
14		RK2100-14-33	1-14	1-11	48	30	12.5	12.5	41	40	400	530
15		RK2100-15-17	1-14	3/8-19	43	32	12.5	8	27	22	400	530
15		RK2100-15-21	1-14	1/2-14	41	27	12.5	12.5	27	27	400	530
15		RK2100-15-26	1-14	3/4-14	44.5	28.5	12.5	12.5	32	32	400	530
15		RK2100-15-33	1-14	1-11	48	30	12.5	12.5	41	40	400	530
16	5/8	RK2100-16-17	1-14	3/8-19	43	32	12.5	8	27	22	400	530
16	5/8	RK2100-16-21	1-14	1/2-14	41	27	12.5	12.5	27	27	400	530
16	5/8	RK2100-16-26	1-14	3/4-14	44.5	28.5	12.5	12.5	32	32	400	530



# RK2100

RACCORDO DIRITTO ORFS CON  
FILETTATURA TERMINALE BSPP  
STRAIGHT END UNIONS WITH MALE  
BSPP CONNECTION



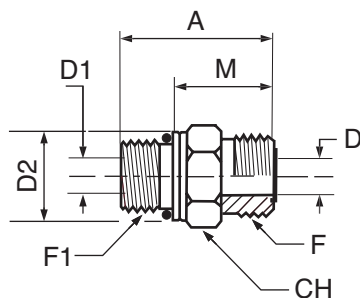
T	T	CODE	F	F1	A	M	D	D1	CH	D2	Pressure
Ø mm	Ø Poll.				mm	mm	mm	mm	mm	mm	Wp Max
16	5/8	RK2100-16-33	1-14	1-11	48	30	12.5	12.5	41	40	400 630
18		RK2100-18-21	1-3/16-12	1/2-14	48.5	34.5	15.5	15.5	32	27	400 530
18		RK2100-18-26	1-3/16-12	3/4-14	46	30	15.5	12.5	32	32	400 530
18		RK2100-18-33	1-3/16-12	1-11	49	31	15.5	15.5	41	40	400 530
18		RK2100-18-42	1-3/16-12	1-1/4-11	53.5	33.5	15.5	20.5	50	50	400 530
20	3/4	RK2100-20-21	1-3/16-12	1/2-14	48.5	34.5	15.5	15.5	32	27	400 530
20	3/4	RK2100-20-26	1-3/16-12	3/4-14	46	30	15.5	12.5	32	32	400 530
20	3/4	RK2100-20-33	1-3/16-12	1-11	49	31	15.5	15.5	41	40	400 530
20	3/4	RK2100-20-42	1-3/16-12	1-1/4-11	53.5	33.5	15.5	20.5	50	50	400 530
22		RK2100-22-26	1-7/16-12	3/4-14	52	36	20.5	16	41	32	400 530
22		RK2100-22-33	1-7/16-12	1-11	50	31.5	20.5	20	41	40	400 530
22		RK2100-22-42	1-7/16-12	1-1/4-11	54	34	20.5	20.5	50	50	400 530
22		RK2100-22-48	1-7/16-12	1-1/2-11	57.5	35.5	20.5	20.5	55	55	250 330
25	1"	RK2100-25-26	1-7/16-12	3/4-14	52	36	20.5	16	41	32	400 530
25	1"	RK2100-25-33	1-7/16-12	1-11	50	31.5	20.5	20	41	40	400 530
25	1"	RK2100-25-42	1-7/16-12	1-1/4-11	54	34	20.5	20.5	50	50	400 530
25	1"	RK2100-25-48	1-7/16-12	1-1/2-11	57.5	35.5	20.5	20.5	55	55	250 330
28		RK2100-28-33	1-11/16-12	1-11	57.5	39.5	26	20	46	40	250 330
28		RK2100-28-42	1-11/16-12	1-1/4-11	54	34	26	25	50	50	50 330
28		RK2100-28-48	1-11/16-12	1-1/2-11	57.5	35.5	26	26	50	55	250 330
30		RK2100-30-33	1-11/16-12	1-11	57.5	39.5	26	20	46	40	250 330
30		RK2100-30-42	1-11/16-12	1-1/4-11	54	34	26	25	50	50	250 330
30		RK2100-30-48	1-11/16-12	1-1/2-11	57.5	35.5	26	26	50	55	250 330
32	1"1/4	RK2100-32-33	1-11/16-12	1-11	57.5	39.5	26	20	46	40	250 330
32	1"1/4	RK2100-32-42	1-11/16-12	1-1/4-11	54	34	26	25	50	50	250 330
32	1"1/4	RK2100-32-48	1-11/16-12	1-1/2-11	57.5	35.5	26	26	50	55	250 330
35		RK2100-35-48	2-12	1-1/2-11	57.5	35.5	32	32	55	55	250 330
38	1"1/2	RK2100-38-48	2-12	1-1/2-11	57.5	35.5	32	32	55	55	250 330



# RK2110

**RACCORDO DIRITTO ORFS CON  
FILETTATURA TERMINALE MASCHIO  
METRICO CILINDRICO ISO 6149-2**

**STRAIGHT END UNIONS WITH MALE  
CYLINDRICAL METRIC CONNECTION  
ISO 6149-2**



ISO 6149-2

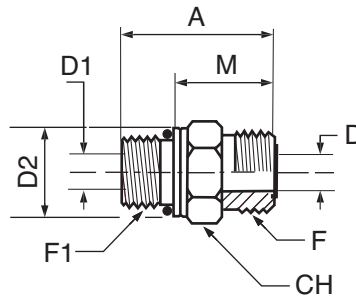
T	T	CODE	F	F1	A	M	D	D1	CH	D2	Pressure	
											Wp	Max
Ø mm	Ø Poll.				mm	mm	mm	mm	mm	mm		
06	1/4	RK2110-06-12	9/16-18	M12x1.5	28.5	17.7	5	4	17	17	630	840
06	1/4	RK2110-06-14	9/16-18	M14x1.5	29.5	18.5	5	6	19	19	630	840
08	5/16	RK2110-08-12	11/16-16	M12x1.5	32	21	6.5	4	19	19	630	840
08	5/16	RK2110-08-14	11/16-16	M14x1.5	32.5	20	6.5	6.5	22	22	630	840
08	5/16	RK2110-08-16	11/16-16	M16x1.5	32.5	20	6.5	6.5	22	22	630	840
10	3/8	RK2110-10-12	11/16-16	M12x1.5	32	21	6.5	4	19	19	630	840
10	3/8	RK2110-10-14	11/16-16	M14x1.5	32.5	20	6.5	6.5	22	22	630	840
10	3/8	RK2110-10-16	11/16-16	M16x1.5	32.5	20	6.5	6.5	22	22	630	840
12	1/2	RK2110-12-18	13/16-16	M18x1.5	36.5	22.5	9.5	9	24	24	630	840
12	1/2	RK2110-12-22	13/16-16	M22x1.5	39.5	27	9.5	9.5	27	27	630	840
14		RK2110-14-18	1-14	M18x1.5	41	27	12.5	9	27	24	400	530
14		RK2110-14-22	1-14	M22x1.5	42	27	12.5	12	27	27	400	530
15		RK2110-15-18	1-14	M18x1.5	41	27	12.5	9	27	24	400	530
15		RK2110-15-22	1-14	M22x1.5	42	27	12.5	12	27	27	400	530
16	5/8	RK2110-16-18	1-14	M18x1.5	41	27	12.5	9	27	24	400	530
16	5/8	RK2110-16-22	1-14	M22x1.5	42	27	12.5	12	27	27	400	530



# RK2110

RACCORDO DIRITTO ORFS CON  
FILETTATURA TERMINALE MASCHIO  
METRICO CILINDRICO ISO 6149-2

STRAIGHT END UNIONS WITH MALE  
CYLINDRICAL METRIC CONNECTION  
ISO 6149-2



ISO 6149-2

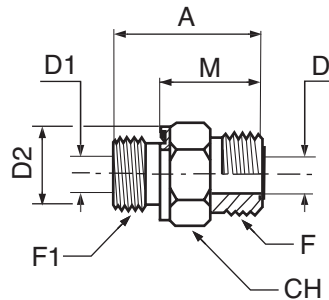
T	T	CODE	F	F1	A	M	D	D1	CH	D2	Pressure	
Ø mm	Ø Poll.				mm	mm	mm	mm	mm	mm	Wp	Max
18		RK2110-18-22	1-3/16-12	M22x1.5	45	27	15.5	12	32	27	400	530
18		RK2110-18-27	1-3/16-12	M27x2	48.5	30	15.5	15	32	30	400	530
18		RK2110-18-33	1-3/16-12	M33X2	51.5	33	15.5	12	32	40	400	530
20	3/4	RK2110-20-22	1-3/16-12	M22x1.5	45	27	15.5	12	32	27	400	530
20	3/4	RK2110-20-27	1-3/16-12	M27x2	48.5	30	15.5	15	32	30	400	530
20	3/4	RK2110-20-33	1-3/16-12	M33X2	51.5	33	15.5	12	32	40	400	530
22		RK2110-22-33	1-7/16-12	M33X2	50.5	32	20.5	20	41	40	400	530
25	1"	RK2110-25-33	1-7/16-12	M33X2	50.5	32	20.5	20	41	40	400	530
28		RK2110-28-33	1-11/16-12	M33X2	53	34.5	26	26	46	40	220	330
28		RK2110-28-42	1-11/16-12	M42X2	53	34	26	26	50	50	220	330
30		RK2110-30-33	1-11/16-12	M33X2	53	34.5	26	26	46	40	220	330
30		RK2110-30-42	1-11/16-12	M42X2	53	34	26	26	50	50	220	330
32	1"1/4	RK2110-32-33	1-11/16-12	M33X2	53	34.5	26	26	46	40	220	330
32	1"1/4	RK2110-32-42	1-11/16-12	M42X2	53	34	26	26	50	50	220	330
35		RK2110-35-48	2-12	M48X2	57	35.5	32	32	55	55	220	330
38	1"1/2	RK2110-38-48	2-12	M48X2	57	35.5	32	32	55	55	220	330



# RK2120

RACCORDO DIRITTO ORFS CON  
FILETTATURA TERMINALE MASCHIO  
METRICO CILINDRICO DIN 3852-1

STRAIGHT END UNIONS WITH MALE  
CYLINDRICAL METRIC CONNECTION  
DIN 3852-1



DIN 3852-1

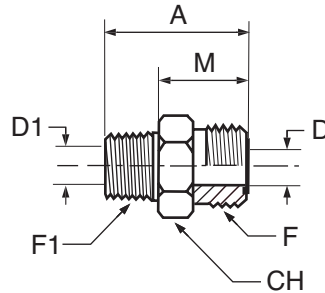
T	T	CODE	F	F1	A	M	D	D1	CH	D2	Pressure	
											Wp	Max
Ø mm	Ø Poll.				mm	mm	mm	mm	mm	mm		
06	1/4	RK2120-06-12	9/16-18	M12x1.5	29.7	17.7	5	4.4	17	17	630	840
08	5/16	RK2120-08-14	11/16-16	M14x1.5	32	20	6.5	5	22	19	630	840
08	5/16	RK2120-08-16	11/16-16	M16x1.5	32	20	6.5	6.5	22	22	630	840
10	3/8	RK2120-10-14	11/16-16	M14x1.5	32	20	6.5	5	22	22	630	840
10	3/8	RK2120-10-16	11/16-16	M16x1.5	32	20	6.5	6.5	22	22	630	840
12	1/2	RK2120-12-18	13/16-16	M18x1.5	34.5	22.5	9.5	8	24	24	400	530
14	5/8	RK2120-14-18	1-14	M18x1.5	41	27	12.5	8	27	24	400	530
14		RK2120-14-22	1-14	M22x1.5	41	27	12.5	12.5	27	27	400	530
15	5/8	RK2120-15-18	1-14	M22x1.5	41	27	12.5	8	27	27	400	530
15		RK2120-15-22	1-14	M22x1.5	41	27	12.5	12.5	27	27	400	530
16	5/8	RK2120-16-18	1-14	M22x1.5	41	27	12.5	8	27	27	400	530
16	5/8	RK2120-16-22	1-14	M22x1.5	41	27	12.5	12.5	27	27	400	530
18		RK2120-18-27	1-3/16-12	M27x2	46	30	15.5	15.5	32	32	400	530
20	3/4	RK2120-20-27	1-3/16-12	M27x2	46	30	15.5	15.5	32	32	400	530
22		RK2120-22-33	1-7/16-12	M33x2	50	32	20.5	20.5	41	40	400	530
25	1"	RK2120-25-33	1-7/16-12	M33x2	50	32	20.5	20.5	41	40	400	530
28		RK2120-28-42	1-11/16-12	M42x2	54	34	26	25	50	50	250	330
30		RK2120-30-42	1-11/16-12	M42x2	54	34	26	25	50	50	250	330
32	1"1/4	RK2120-32-42	1-11/16-12	M42x2	54	34	26	25	50	50	250	330
35		RK2120-35-48	2-12	M48x2	57.5	35.5	32	32	55	55	250	330
38	1"1/2	RK2120-38-48	2-12	M48x2	57.5	35.5	32	32	55	55	250	330



# RK2130

RACCORDO DIRITTO CON  
FILETTATURA TERMINALE  
MASCHIO NPTF

STRAIGHT END UNIONS WITH  
MALE NPTF CONNECTION

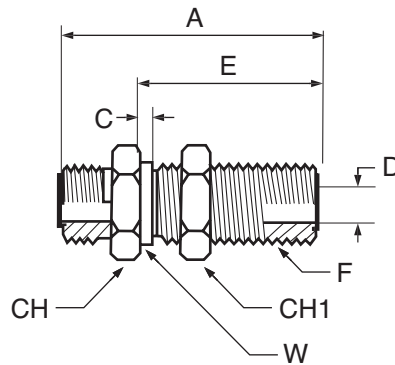


T	T	CODE	F	F1	A	M	D	D1	CH	Pressure	
Ø mm	Ø Poll.				mm	mm	mm	mm	mm	Wp	Max
06	1/4	RK2130-06-10	9/16-18	1/8-27	27	21	5	5	17	400	530
06	1/4	RK2130-06-13	9/16-18	1/4-18	32	23.5	5	7	17	400	530
06	1/4	RK2130-06-17	9/16-18	3/8-18	33.5	25.5	5	10.5	19	400	530
08	5/16	RK2130-08-13	11/16-16	1/4-18	32	17.4	6.5	6.5	19	400	530
08	5/16	RK2130-08-17	11/16-16	3/8-18	34	25	6.5	10.5	19	400	530
08	5/16	RK2130-08-21	11/16-16	1/2-14	39.5	27.5	6.5	13.5	22	400	530
10	3/8	RK2130-10-13	11/16-16	1/4-18	32	17.4	6.5	6.5	19	400	530
10	3/8	RK2130-10-17	11/16-16	3/8-18	34	25	6.5	10.5	19	400	530
10	3/8	RK2130-10-21	11/16-16	1/2-14	39.5	27.5	6.5	13.5	22	400	530
12	1/2	RK2130-12-17	13/16-16	3/8-18	37.5	28.5	9.5	10.5	22	400	530
12	1/2	RK2130-12-21	13/16-16	1/2-14	41.5	30	9.5	13.5	22	400	530
12	1/2	RK2130-12-26	13/16-16	3/4-14	43	30.5	9.5	18.5	30	330	430
14		RK2130-14-21	1-14	1/2-14	46	34.5	12.5	13.5	27	330	530
14		RK2130-14-26	1-14	3/7-14	46.5	34	12.5	18.5	30	330	530
15		RK2130-15-21	1-14	1/2-14	46	34.5	12.5	13.5	27	330	530
15		RK2130-15-26	1-14	3/7-14	46.5	34	12.5	18.5	30	330	530
16	5/8	RK2130-16-21	1-14	1/2-14	46	34.5	12.5	13.5	27	330	530
16	5/8	RK2130-16-26	1-14	3/4-14	46.5	34	12.5	18.5	30	330	430
18		RK2130-18-21	1-3/16-12	1/2-14	49	37.5	15.5	13.5	32	400	530
18		RK2130-18-26	1-3/16-12	3/4-14	49	37	15.5	13.5	32	330	430
18		RK2130-18-33	1-3/16-12	1-11 1/2	54	39.5	15.5	27	36	210	280
20	3/4	RK2130-20-21	1-3/16-12	1/2-14	49	37.5	15.5	13.5	32	400	530
20	3/4	RK2130-20-26	1-3/16-12	3/4-14	49	37	15.5	13.5	32	330	430
20	3/4	RK2130-20-33	1-3/16-12	1-11 1/2	54	39.5	15.5	27	36	210	280
22		RK2130-22-26	1-7/16-12	3/4-14	51	36.5	20.5	18.5	38	210	280
22		RK2130-22-33	1-7/16-12	1-11 1/2	55.5	41	20.5	24	38	210	280
25	1"	RK2130-25-26	1-7/16	3/4	51	37	26	18.5	38	210	280
25	1"	RK2130-25-33	1-7/16-12	1-11 1/2	55.5	41	20.5	24	38	210	280
28		RK2130-28-42	1-11/16-12	1-1/4 11 1/2	58.5	43.5	26	32	48	210	280
30		RK2130-30-42	1-11/16-12	1-1/4 11 1/2	58.5	43.5	26	32	48	210	280
32	1"1/4	RK2130-32-42	1-11/16-12	1-1/4 11 1/2	58.5	43.5	26	32	48	210	280
35		RK2130-35-42	2-12	1-1/2 11 1/2	61	46	32	38	55	150	250
38	1"1/2	RK2130-38-48	2-12	1-1/2 11 1/2	61	46	32	38	55	150	250



# RK2140

**RACCORDO INTERMEDIO  
DIRITTO ORFS PASSAPARATIA  
INTERMEDIATE STRAIGHT ORFS  
WALL CROSSOVER UNIONS**

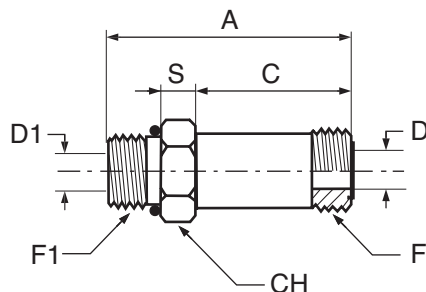


T	T	CODE	F	A	E	C	D	W	CH	CH1	Pressure	
											Ø mm	Ø Poll.
06	1/4	RK2140-06	9/16-18	48	31.5	1.5	5	14.28	22	22	630	840
08	5/16	RK2140-08	11/16-16	53	34	1.5	6.5	17.45	27	27	630	840
10	3/8	RK2140-10	11/16-16	53	34	1.5	6.5	17.45	27	27	630	840
12	1/2	RK2140-12	13/16-16	58.5	36.5	2.5	9.5	20.63	30	30	630	840
14		RK2140-14	1-14	66.5	40.5	2.5	12.5	25.4	36	36	400	530
15		RK2140-15	1-14	66.5	40.5	2.5	12.5	25.4	36	36	400	530
16	5/8	RK2140-16	1-14	66.5	40.5	2.5	12.5	25.4	36	36	400	530
18		RK2140-18	1-3/16-12	70	42	3	16.5	36.5	41	41	400	530
20		RK2140-20	1-3/16-12	70	42	3	16.5	36.5	41	41	400	530
22		RK2140-22	1-7/16-12	70	42	3	20.5	36.5	46	46	400	530
25	1"	RK2140-25	1-7/16-12	70	42	3	20.5	36.5	46	46	400	530
28		RK2140-28	1-11/16-12	70	42	3	26	42.8	50	50	250	330
30		RK2140-30	1-11/16-12	70	42	3	26	42.8	50	50	250	330
32	1"1/4	RK2140-32	1-11/16-12	70	42	3	26	42.8	50	50	250	330
35		RK2140-35	2-12	70	42	3	32	50.8	60	60	250	330
38	1"1/2	RK2140-38	2-12	70	42	3	32	50.8	60	60	250	330



# RK2150

RACCORDO DI PROLUNGA DIRITTO  
ORFS CON FILETTATURA DI  
ESTREMITA' UNF-2A  
LONG MALE ORFS CONNECTOR  
UNF-2A

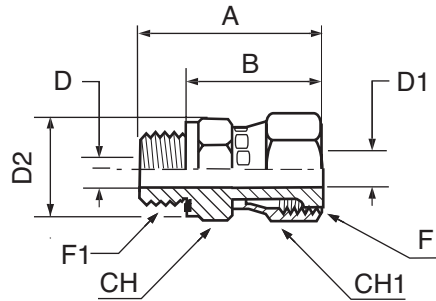


T	T	CODE	F	F1	A	C	S	D	CH	Pressure	
Ø mm	Ø Poll.				mm	mm	mm	mm	mm	Wp	Max
06	1/4	RK2150-06-11	9/16-18	7/16-20	52.5	34	7.5	4.4	17	630	840
08	5/16	RK2150-08-14	11/16-16	9/16-18	57.5	37	9	6.5	19	630	840
10	3/8	RK2150-10-14	11/16-16	9/16-18	57.5	37	9	6.5	19	630	840
12	1/2	RK2150-12-19	13/16-16	3/4-16	68	44	10	9.5	22	630	840
14		RK2150-14-22	1-14	7/8-14	79.5	52	11.5	12.5	27	400	530
15		RK2150-15-22	1-14	7/8-14	79.5	52	11.5	12.5	27	400	530
16	5/8	RK2150-16-22	1-14	7/8-14	79.5	52	11.5	12.5	27	400	530
18		RK2150-18-27	1-3/16-12	1-1/16-12	83.5	52	13	15.5	41	400	530
20	3/4	RK2150-20-27	1-3/16-12	1-1/16-12	83.5	52	13	15.5	41	400	530
22		RK2150-22-33	1-7/16-12	1-5/16-12	105	72.5	14	20.5	41	400	530
25	1"	RK2150-25-33	1-7/16-12	1-5/16-12	105	72.5	14	20.5	41	400	530
28		RK2150-28-41	1-11/16-12	1-5/8-12	121	86	16.5	26	50	250	330
30		RK2150-30-41	1-11/16-12	1-5/8-12	121	86	16.5	26	50	250	330
32	1"1/4	RK2150-32-41	1-11/16-12	1-5/8-12	121	86	16.5	26	50	250	330
35		RK2150-35-48	2-12	1-7/8-12	133.5	97	18	32	55	250	330
38	1"1/2	RK2150-38-48	2-12	1-7/8-12	133.5	97	18	32	55	250	330



## RK2160

**RACCORDO DIRITTO DADO  
GIREVOLE ORFS FILETTATURA  
TERMINALE MASCHIO BSPP**  
**STRAIGHT END UNIONS WITH  
ROTATING NUT ORFS CONNECTOR  
BSPP**



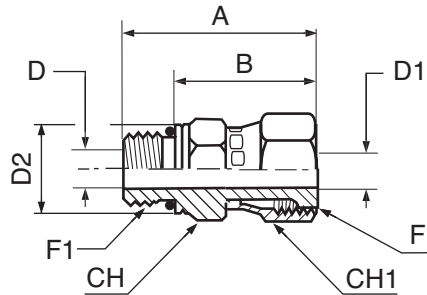
T	T	CODE	F	F1	A	B	D	D1	CH	CH1	D2	Pressure
Ø mm	Ø Poll.			mm	mm	mm	mm	mm	mm	mm	mm	Wp Max
06	1/4	RK2160-06-10	9/16-18	1/8-28	34	26.2	4.2	4.2	17	19	17	400 530
06	1/4	RK2160-06-13	9/16-18	1/4-19	38	26.2	4.2	4.2	19	19	19	400 530
08	5/16	RK2160-08-13	11/16-16	1/4-19	41	20.8	6.5	5	19	22	19	400 530
08	5/16	RK2160-08-17	11/16-16	3/8-19	40	28.2	6.5	6.5	22	22	22	400 530
10	3/8	RK2160-10-13	11/16-16	1/4-19	41	20.8	6.5	5	19	22	19	400 530
10	3/8	RK2160-10-17	11/16-16	3/8-19	40	28.2	6.5	6.5	22	22	22	400 530
12	1/2	RK2160-12-17	13/16-16	3/8-19	48	35.8	9	7.8	22	24	22	400 530
12	1/2	RK2160-12-21	13/16-16	1/2-14	49.5	35.5	9	9	27	24	27	400 530
14		RK2160-14-21	1-14	1/2-14	52	38	11.5	11.5	27	30	27	400 530
15		RK2160-15-21	1-14	1/2-14	52	38	11.5	11.5	27	30	27	400 530
16	5/8	RK2160-16-21	1-14	1/2-14	52	38	11.5	11.5	27	30	27	400 530
18		RK2160-18-26	1-3/16-12	3/4-14	57.4	41.4	14	14	32	36	32	400 530
20	3/4	RK2160-20-26	1-3/16-12	3/4-14	57.4	41.4	14	14	32	36	32	400 530
22		RK2160-22-33	1-7/16-12	1-11	67	49	20	20	41	46	40	400 530
25	1"	RK2160-25-33	1-7/16-12	1-11	67	49	20	20	41	46	40	400 530
28		RK2160-28-42	1-11/16-12	1-1/4-11	69	49	26	25	50	50	50	250 330
32	1"1/4	RK2160-32-42	1-11/16-12	1-1/4-11	69	49	26	25	50	50	50	250 330
35		RK2160-35-48	2-12	1-1/2-11	72	49.8	32	32	55	60	55	250 330
38	1"1/2	RK2160-38-48	2-12	1-1/2-11	72	49.8	32	32	55	60	55	250 330



# RK2170

RACCORDO DIRITTO DADO  
GIREVOLE ORFS FILETTATURA  
TERMINALE METRICO CILINDRICO  
ISO 6149-2

STRAIGHT END UNIONS WITH  
ROTATING NUT ORFS MALE  
CYLINDR. METRIC CONNECTORS  
ISO 6149-2



ISO 6149-2

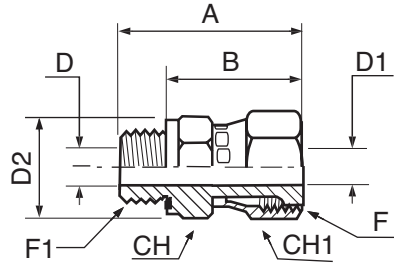
T	T	CODE	F	F1	A	B	D	D1	CH	CH1	D2	Pressure
Ø mm	Ø Poll.			mm	mm	mm	mm	mm	mm	mm	mm	Wp Max
06	1/4	RK2170-06-12	9/16-18	M12x1.5	37.2	26.2	4.2	4.2	17	19	17	400 530
08	5/16	RK2170-08-14	11/16-16	M14x1.5	39.2	28.2	6.5	4	19	22	19	400 530
08	5/16	RK2170-08-16	11/16-16	M16x1.5	40.7	28.2	6.5	6.5	22	22	22	400 530
10	3/8	RK2170-10-14	11/16-16	M14x1.5	39.2	28.2	6.5	4	19	22	19	400 530
10	3/8	RK2170-10-16	11/16-16	M16x1.5	40.7	28.2	6.5	6.5	22	22	22	400 530
12	1/2	RK2170-12-16	13/16-16	M16x1.5	47.8	35.3	9.1	7	22	24	22	400 530
14		RK2170-14-22	1-14	M22x1.5	52.8	37.8	11.5	11.5	27	30	27	400 530
15		RK2170-15-22	1-14	M22x1.5	52.8	37.8	11.5	11.5	27	30	27	400 530
16	5/8	RK2170-16-22	1-14	M22x1.5	52.8	37.8	11.5	11.5	27	30	27	400 530
18		RK2170-18-27	1-3/16-12	M27x2	59.7	41.2	13.9	13.9	32	36	32	400 530
20	3/4	RK2170-20-27	1-3/16-12	M27x2	59.7	41.2	13.9	13.9	32	36	32	400 530
22		RK2170-22-33	1-7/16-12	M33x2	67.5	49	20	20	41	46	40	400 530
25	1"	RK2170-25-33	1-7/16-12	M33x2	67.5	49	20	20	41	46	40	400 530
28		RK2170-28-42	1-11/16-12	M42x2	68	49	26	26	50	50	50	250 330
32	1"1/4	RK2170-32-42	1-11/16-12	M42x2	68	49	26	26	50	50	50	250 330
35		RK2170-35-48	2-12	M48x2	70.5	49	32	32	55	60	55	250 330
38	1"1/2	RK2170-38-48	2-12	M48x2	70.5	49	32	32	55	60	55	250 330



# RK2175

**RACCORDO DIRITTO DADO  
GIREVOLE ORFS FILETTATURA  
TERMINALE METRICO CILINDRICO  
DIN 3852-1**

**STRAIGHT END UNIONS WITH  
ROTATING NUT ORFS MALE  
CYLINDR. METRIC CONNECTIORS  
DIN 3852-1**



DIN 3852-1

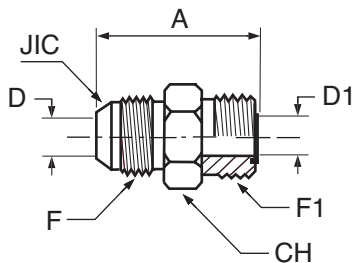
T	T	CODE	F	F1	A	B	D	D1	CH	CH1	D2	Pressure	
Ø mm	Ø Poll.			mm	mm	mm	mm	mm	mm	mm	mm	Wp	Max
06	1/4	RK2175 -06 -12	9/16-18	M12x1.5	38.2	26.2	4.2	4.2	17	19	14	400	530
08	5/16	RK2175 -08 -14	11/16-16	M14x1.5	40.2	28.2	6.5	5	19	22	19	400	530
10	3/8	RK2175 -10 -14	11/16-16	M14x1.5	40.2	28.2	6.5	5	19	22	19	400	530
12	1/2	RK2175 -12 -16	13/16-16	M16x1.5	47.3	35.3	9.1	7	22	24	22	400	530
14		RK2175 -14 -22	1-14	M22x1.5	51.8	37.5	11.5	11.5	27	30	27	400	530
15		RK2175 -15 -22	1-14	M22x1.5	51.8	37.5	11.5	11.5	27	30	27	400	530
16	5/8	RK2175 -16 -22	1-14	M22x1.5	51.8	37.5	11.5	11.5	27	30	27	400	530
18		RK2175 -18 -27	1-3/16-12	M27x2	57.2	41.2	13.9	13.9	32	36	27	400	530
20	3/4	RK2175 -20 -27	1-3/16-12	M27x2	57.2	41.2	13.9	13.9	32	36	32	400	530
22		RK2175 -22 -33	1-7/16-12	M33x2	67	49	20	20	41	46	32	400	530
25	1"	RK2175 -25 -33	1-7/16-12	M33x2	67	49	20	20	41	46	32	400	530
28		RK2175 -28 -42	1-11/16-12	M42x2	69	49	25	25	50	50	50	250	330
30		RK2175 -30 -42	1-11/16-12	M42x2	69	49	25	25	50	50	50	250	330
32	1"1/4	RK2175 -32 -42	1-11/16-12	M42x2	69	49	25	25	50	50	50	250	330
35		RK2175 -35 -48	2-12	M48x2	71	49	32	32	55	60	55	250	330
38	1"1/2	RK2175 -38 -48	2-12	M48x2	71	49	32	32	55	60	55	250	330



# RK2180

RACCORDO DIRITTO A 37° CON  
TERMINALE ORFS

JIC 37° TUBE END/ ORFS TUBO  
END

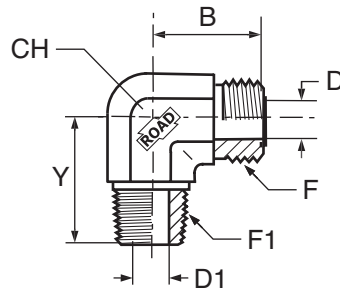


T	T	CODE	F	F1	A	D	D1	CH	Pressure	
Ø mm	Ø Poll.								Wp	Max
06	1/4	RK2180-06-06	7/16-20	9/16-18	31.5	4.4	4.4	17	350	500
10	3/8	RK2180-10-10	9/16-18	11/16-16	34	7.5	6.5	19	350	500
12	1/2	RK2180-12-12	3/4-16	13/16-16	39.5	10	9.5	22	350	500
14		RK2180-14-14	7/8-14	1-14	46.5	12.3	11.5	27	350	500
15		RK2180-15-15	7/8-14	1-14	46.5	12.3	11.5	27	350	500
16	5/8	RK2180-16-16	7/8-14	1-14	46.5	12.3	11.5	27	350	500
18		RK2180-18-18	1-1/16-12	1-3/16-12	52	15	13.9	32	350	500
20	3/4	RK2180-20-20	1-1/16-12	1-3/16-12	52	15	13.9	32	350	500
22		RK2180-22-22	1-5/16-12	1-7/16-12	54.5	21.5	20	41	250	400
25	1"	RK2180-25-25	1-5/16-12	1-7/16-12	54.5	21.5	20	41	250	400
30		RK2180-30-30	1-5/8-12	1-11/16-12	58	26	26	48	210	315
32	1"1/4	RK2180-32-32	1-5/8-12	1-11/16-12	58	26	26	48	210	315
38	1"1/2	RK2180-38-38	1-7/8-12	2-12	63	32	32	55	110	210



## RK2500

**RACCORDO DI ESTREMITA' A 90°  
FILETTATURA TERMINALE NPTF**  
**90° END UNIONS WITH  
MALE NPTF CONNECTION**

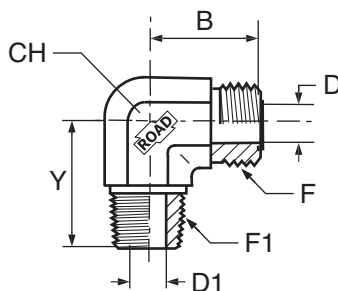


T	T	CODE	F	F1	B	Y	D	D1	CH	Pressure	
										Wp	Max
Ø mm	Ø Poll.				mm	mm	mm	mm	mm		
06	1/4	RK2500-06-10	9/16-18	1/8-27	21.5	20.5	5	4.8	14	400	550
06	1/4	RK2500-06-13	9/16-18	1/4-18	21.5	20.5	5	7	14	400	550
08	5/16	RK2500-08-13	11/16-16	1/4-18	25	27.5	6.5	7	19	400	550
08	5/16	RK2500-08-17	11/16-16	3/8-18	25	31	6.5	10.5	19	400	550
08	5/16	RK2500-08-21	11/16-16	1/2-14	29.5	37.5	6.5	13.5	22	400	550
10	3/8	RK2500-10-13	11/16-16	1/4-18	25	27.5	6.5	7	19	400	550
10	3/8	RK2500-10-17	11/16-16	3/8-18	25	31	6.5	10.5	19	400	550
10	3/8	RK2500-10-21	11/16-16	1/2-14	29.5	37.5	6.5	13.5	22	400	550
12	1/2	RK2500-12-17	13/16-16	3/8-18	28	31	9.5	10.5	19	400	550
12	1/2	RK2500-12-21	13/16-16	1/2-14	28	37.5	9.5	13.5	22	400	550
12	1/2	RK2500-12-26	13/16-16	3/4-14	33.5	40.5	9.5	18.5	27	350	450
14		RK2500-14-21	1-14	1/2-14	33.5	37.5	12.5	12.5	27	400	550
14		RK2500-14-26	1-14	3/4-14	36	40.5	12.5	12.5	27	250	360
15		RK2500-15-21	1-14	1/2-14	33.5	37.5	12.5	12.5	27	400	550
15		RK2500-15-26	1-14	3/4-14	36	40.5	12.5	12.5	27	250	360
16	5/8	RK2500-16-21	1-14	1/2-14	33.5	37.5	12.5	12.5	27	400	550
16	5/8	RK2500-16-26	1-14	3/4-14	36	40.5	12.5	12.5	27	250	360



## RK2500

RACCORDO DI ESTREMITA' A 90°  
FILETTATURA TERMINALE NPTF  
90° END UNIONS WITH  
MALE NPTF CONNECTION

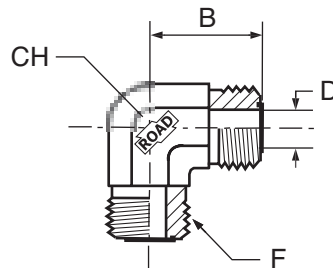


T	T	CODE	F	F1	B	Y	D	D1	CH	Pressure	
Ø mm	Ø Poll.				mm	mm	mm	mm	mm	Wp	Max
18		RK2500-18-21	1-3/16-12	1/2-14	37.5	40.5	15.5	13.5	30	250	360
18		RK2500-18-26	1-3/16-12	3/4-14	37.5	40.5	15.5	18.5	30	250	360
18		RK2500-18-33	1-3/16-12	1-11 1/2	41	50	15.5	24	36	210	310
20	3/4	RK2500-20-21	1-3/16-12	1/2-14	37.5	40.5	15.5	13.5	30	250	360
20	3/4	RK2500-20-26	1-3/16-12	3/4-14	37.5	40.5	15.5	18.5	30	250	360
20	3/4	RK2500-20-33	1-3/16-12	1-11 1/2	41	50	15.5	24	36	210	310
22		RK2500-22-26	1-7/16-12	3/4-14	41.5	45.5	20.5	18.5	36	250	360
22		RK2500-22-33	1-7/16-12	1-11 1/2	41.5	50	20.5	24	36	210	310
25	1"	RK2500-25-26	1-7/16-12	3/4-14	41.5	45.5	20.5	18.5	36	250	360
25	1"	RK2500-25-33	1-7/16-12	1-11 1/2	41.5	50	20.5	24	36	210	310
28		RK2500-28-42	1-11/16-12	1-1/4 11 1/2	44.5	60.5	26	32	41	160	250
30		RK2500-30-42	1-11/16-12	1-1/4 11 1/2	44.5	60.5	26	32	41	160	250
32	1"1/4	RK2500-32-42	1-11/16-12	1-1/4 11 1/2	44.5	60.5	26	32	41	160	250
35		RK2500-35-48	2-12	1-1/2 11 1/2	49	67	32	38	48	160	250
38	1"1/2	RK2500-38-48	2-12	1-1/2 11 1/2	49	67	32	38	48	160	250

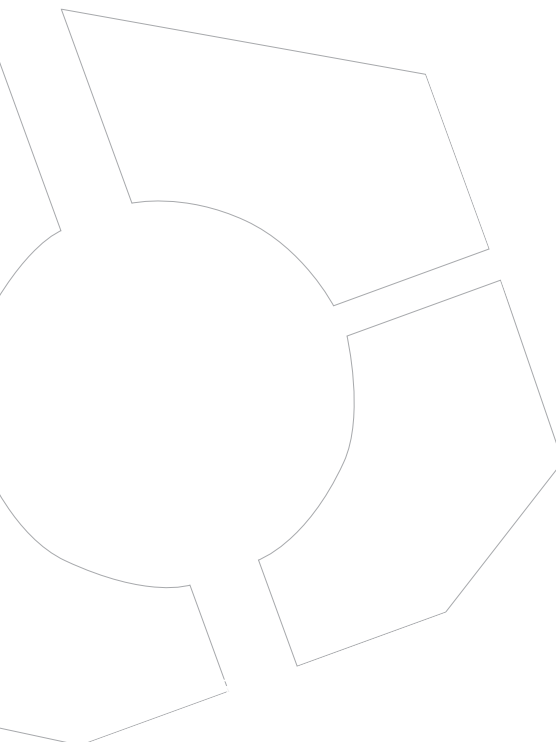


# RK2510

**RACCORDO INTERMEDIO A 90°**  
**INTERMEDIATE 90° UNIONS ORFS**

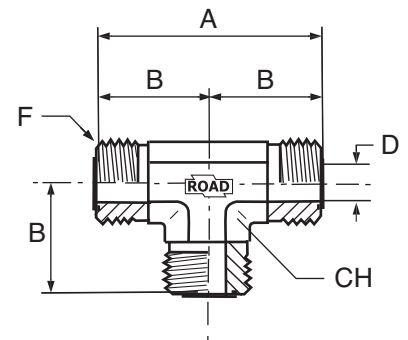


T	T	CODE	F	B	D	CH	Pressure	
							Wp	Max
Ø mm	Ø Poll.			mm	mm	mm		
06	1/4	RK2510-06	9/16-18	21.5	5	14	630	840
08	5/16	RK2510-08	11/16-16	25	6.5	19	630	840
10	3/8	RK2510-10	11/16-16	25	6.5	19	630	840
12	1/2	RK2510-12	13/16-16	28	9.5	19	630	840
14		RK2510-14	1-14	33.5	12.5	27	400	530
15		RK2510-15	1-14	33.5	12.5	27	400	530
16	5/8	RK2510-16	1-14	33.5	12.5	27	400	530
18		RK2510-18	1-3/16-12	37.5	15.5	30	400	530
20	3/4	RK2510-20	1-3/16-12	37.5	15.5	30	400	530
22		RK2510-22	1-7/16-12	41.5	20.5	36	400	530
25	1"	RK2510-25	1-7/16-12	41.5	20.5	36	400	530
28		RK2510-28	1-11/16-12	44.5	26	41	250	330
30		RK2510-30	1-11/16-12	44.5	26	41	250	330
32	1"1/4	RK2510-32	1-11/16-12	44.5	26	41	250	330
35		RK2510-35	2-12	49	32	48	250	330
38	1"1/2	RK2510-38	2-12	49	32	48	250	330



## RK2520

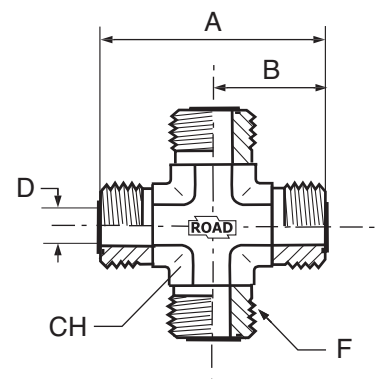
RACCORDO ORFS INTERMEDIO A T  
T SHAPED INTERMEDIATE UNIONS  
ORFS TUBE ENDS



T	T	CODE	F	A	B	D	CH	Pressure	
								Wp	Max
Ø mm Ø Poll.									
06	1/4	RK2520-06	9/16-18	43	21.5	5	14	630	840
08	5/16	RK2520-08	11/16-16	50	25	6.5	19	630	840
10	3/8	RK2520-10	11/16-16	50	25	6.5	19	630	840
12	1/2	RK2520-12	13/16-16	56	28	9.5	19	630	840
14		RK2520-14	1-14	67	33.5	12.5	27	400	530
15		RK2520-15	1-14	67	33.5	12.5	27	400	530
16	5/8	RK2520-16	1-14	67	33.5	12.5	27	400	530
18		RK2520-18	1-3/16-12	75	37.5	15.5	30	400	530
20	3/4	RK2520-20	1-3/16-12	75	37.5	15.5	30	400	530
22		RK2520-22	1-7/16-12	83	41.5	20.5	36	400	530
25	1"	RK2520-25	1-7/16-12	83	41.5	20.5	36	400	530
28		RK2520-28	1-11/16-12	89	44.5	26	41	250	330
30		RK2520-30	1-11/16-12	89	44.5	26	41	250	330
32	1"1/4	RK2520-32	1-11/16-12	89	44.5	26	41	250	330
35		RK2520-35	2-12	98	49	32	48	250	330
38	1"1/2	RK2520-38	2-12	98	49	32	48	250	330

## RK2530

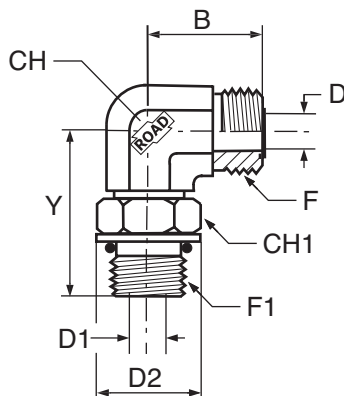
RACCORDO ORFS INTERMEDIO A CROCE  
INTERMEDIATE CROSS UNIONS  
ORFS TUBE ENDS



T	T	CODE	F	A	B	D	CH	Pressure	
								Wp	Max
Ø mm Ø Poll.									
06	1/4	RK2530-06	9/16-18	43	21.5	5	14	630	840
08	5/16	RK2530-08	11/16-16	50	25	6.5	19	630	840
10	3/8	RK2530-10	11/16-16	50	25	6.5	19	630	840
12	1/2	RK2530-12	13/16-16	56	28	9.5	19	630	840
14		RK2530-14	1-14	67	33.5	12.5	27	400	530
15		RK2530-15	1-14	67	33.5	12.5	27	400	530
16	5/8	RK2530-16	1-14	67	33.5	12.5	27	400	530
18		RK2530-18	1-3/16-12	75	37.5	15.5	30	400	530
20	3/4	RK2530-20	1-3/16-12	75	37.5	15.5	30	400	530
22		RK2530-22	1-7/16-12	83	41.5	20.5	36	400	530
25	1"	RK2530-25	1-7/16-12	83	41.5	20.5	36	400	530
28		RK2530-28	1-11/16-12	89	44.5	26	41	250	330
30		RK2530-30	1-11/16-12	89	44.5	26	41	250	330
32	1"1/4	RK2530-32	1-11/16-12	89	44.5	26	41	250	330
35		RK2530-35	2-12	98	49	32	48	250	330
38	1"1/2	RK2530-38	2-12	98	49	32	48	250	330

# RK2540

**RACCORDO ORFS DI ESTREMITA' A  
90° ORIENTABILE CON  
FILETTATURA TERMINALE UNF-2A  
90° ROTARY END UNIONS WITH  
MALE SAE CONNECTION**

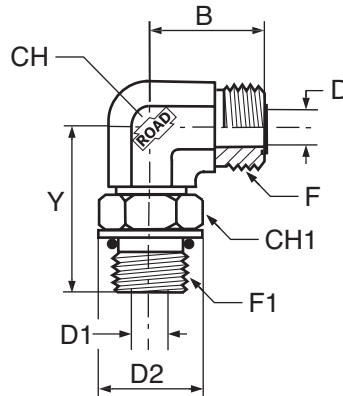


T	T	CODE	F	F1	B	Y	D	D1	CH	CH1	D2	Pressure	Pressure
Ø mm	Ø Poll.				mm	mm	mm	mm	mm	mm	mm	Wp	Max
06	1/4	RK2540-06-11	9/16-18	7/16-20	21.5	33	5	4.4	14	14	16,6	400	530
06	1/4	RK2540-06-14	9/16-18	9/16-18	23.5	36.8	5	6.5	19	19	19,8	400	530
08	5/16	RK2540-08-11	11/16-16	7/16-20	25	34.8	6.5	4.4	19	14	16,6	400	530
08	5/16	RK2540-08-14	11/16-16	9/16-18	25	36.8	6.5	6.5	19	19	19,8	400	530
08	5/16	RK2540-08-19	11/16-16	3/4-16	26.5	40.6	6.5	9.5	19	24	26,9	400	530
08	5/16	RK2540-08-22	11/16-16	7/8-14	29.2	50	6.5	12.3	27	27	29,2	400	530
10	3/8	RK2540-10-11	11/16-16	7/16-20	25	34.8	6.5	4.4	19	14	16,6	400	530
10	3/8	RK2540-10-14	11/16-16	9/16-18	25	36.8	6.5	6.5	19	19	19,8	400	530
10	3/8	RK2540-10-19	11/16-16	3/4-16	26.5	40.6	6.5	9.5	19	24	26,9	400	530
10	3/8	RK2540-10-22	11/16-16	7/8-14	29.2	50	6.5	12.3	27	27	29,2	400	530
12	1/2	RK2540-12-14	13/16-16	9/16-18	28	38.5	9.5	6.5	19	19	19,8	400	530
12	1/2	RK2540-12-19	13/16-16	3/4-16	28	40.6	9.5	9.5	19	24	26,9	400	530
12	1/2	RK2540-12-22	13/16-16	7/8-14	38.8	50	9.5	12.3	27	27	29,2	400	530
12	1/2	RK2540-12-27	13/16-16	1-1/16-12	33.5	50	9.5	15.5	30	32	34,7	400	530
14		RK2540-14-19	1-14	3/4-16	33.5	45.7	12.5	9.5	27	24	26,9	400	530
14		RK2540-14-22	1-14	7/8-14	33.5	50	12.5	12.3	27	27	29,2	400	530
14		RK2540-14-27	1-14	1-1/16-12	35.8	55.1	12.5	15.5	30	32	34,7	400	530
15		RK2540-15-19	1-14	3/4-16	33.5	45.7	12.5	9.5	27	24	26,9	400	530
15		RK2540-15-22	1-14	7/8-14	33.5	50	12.5	12.3	27	27	29,2	400	530
15		RK2540-15-27	1-14	1-1/16-12	35.8	55.1	12.5	15.5	30	32	34,7	400	530
16	5/8	RK2540-16-19	1-14	3/4-16	33.5	45.7	12.5	9.5	27	24	26,9	400	530
16	5/8	RK2540-16-22	1-14	7/8-14	33.5	50	12.5	12.5	27	27	29,2	400	530
16	5/8	RK2540-16-27	1-14	1-1/16-12	35.8	55.1	12.5	15.5	30	32	34,7	400	530
18		RK2540-18-19	1-3/16-12	3/4-16	37.5	46.7	15.5	9.5	30	24	26,9	400	530
18		RK2540-18-22	1-3/16-12	7/8-14	37.5	51	15.5	12.3	30	27	29,2	400	530



# RK2540

RACCORDO ORFS DI ESTREMITA' A  
90° ORIENTABILE CON  
FILETTATURA TERMINALE UNF-2A  
90° ROTARY END UNIONS WITH  
MALE SAE CONNECTION



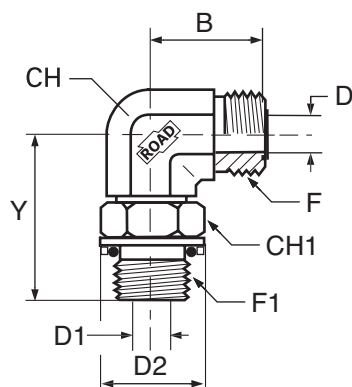
T	T	CODE	F	F1	B	Y	D	D1	CH	CH1	D2	Pressure	
Ø mm	Ø Poll.				mm	mm	mm	mm	mm	mm	mm	Wp	Max
18		RK2540-18-27	1-3/16-12	1-1/16-12	38.5	55.1	15.5	15.5	30	32	34,7	400	530
18		RK2540-18-33	1-3/16-12	1-5/16-12	41.2	59.7	15.5	20.5	36	38	43,6	400	530
20	3/4	RK2540-20-19	1-3/16-12	3/4-16	37.5	46.7	15.5	9.5	30	24	26,9	400	530
20	3/4	RK2540-20-22	1-3/16-12	7/8-14	37.5	51	15.5	12.3	30	27	29,2	400	530
20	3/4	RK2540-20-27	1-3/16-12	1-1/16-12	38.5	55.1	15.5	15.5	30	32	34,7	400	530
20	3/4	RK2540-20-33	1-3/16-12	1-5/16-12	41.2	59.7	15.5	20.5	36	38	43,6	400	530
22		RK2540-22-27	1-7/16-12	1-1/16-12	41.5	59	20.5	15.5	36	32	34,7	400	530
22		RK2540-22-33	1-7/16-12	1-5/16-12	41.5	59.7	20.5	20.5	36	38	43,6	400	530
22		RK2540-22-42	1-7/16-12	1-5/8-12	44.5	62.2	20.5	26	41	50	52,7	250	330
25	1"	RK2540-25-27	1-7/16-12	1-1/16-12	41.5	59	20.5	15.5	36	32	34,7	400	530
25	1"	RK2540-25-33	1-7/16-12	1-5/16-12	41.5	59.7	20.5	20.5	36	38	43,6	400	530
25	1"	RK2540-25-42	1-7/16-12	1-5/8-12	44.5	62.2	20.5	26	41	50	52,7	250	330
28		RK2540-28-33	1-11/16-12	1-5/16-12	44.5	61.5	26	20.5	41	38	43,6	250	330
28		RK2540-28-42	1-11/16-12	1-5/8-12	44.5	62.3	26	26	41	50	52,7	250	330
28		RK2540-28-48	1-11/16-12	1-7/8-12	49	65.8	26	32	48	55	57,7	250	330
30		RK2540-30-33	1-11/16-12	1-5/16-12	44.5	61.5	26	20.5	41	38	43,6	250	330
30		RK2540-30-42	1-11/16-12	1-5/8-12	44.5	62.3	26	26	41	50	52,7	250	330
30		RK2540-30-48	1-11/16-12	1-7/8-12	49	65.8	26	32	48	55	57,7	250	330
32	1"1/4	RK2540-32-33	1-11/16-12	1-5/16-12	44.5	61.5	26	20.5	41	38	43,6	250	330
32	1"1/4	RK2540-32-42	1-11/16-12	1-5/8-12	44.5	62.3	26	26	41	50	52,7	250	330
32	1"1/4	RK2540-32-48	1-11/16-12	1-7/8-12	49	65.8	26	32	48	55	57,7	250	330
35		RK2540-35-42	2-12	1-5/8-12	49	65	32	26	48	50	52,7	250	330
35		RK2540-35-48	2-12	1-7/8-12	49	66	32	32	48	55	52,7	250	330
38	1"1/2	RK2540-38-42	2-12	1-5/8-12	49	65	32	26	48	50	52,7	250	330
38	1"1/2	RK2540-38-48	2-12	1-7/8-12	49	66	32	32	48	55	57,7	250	330



# RK2550

**RACCORDO DI ESTREMITA' 90°  
ORIENTABILE CON FILETTATURA  
TERMINALE BSPP**

**90° ROTARY END UNIONS WITH  
MALE BSPP CONNECTION**



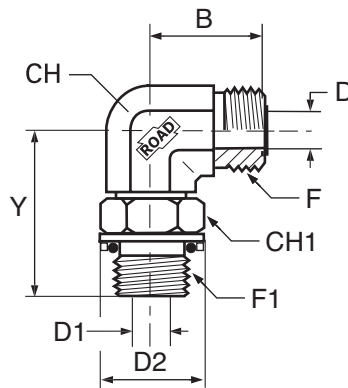
T	T	CODE	F	F1	B	Y	D	D1	CH	CH1	D2	Pressure	
Ø mm	Ø Poll.				mm	mm	mm	mm	mm	mm	mm	Wp	Max
06	1/4	RK2550-06-10	9/16-18	1/8	21.5	30.2	5	4.4	14	14	16	320	400
06	1/4	RK2550-06-13	9/16-18	1/4	23.5	33.5	5	7.5	14	19	19	320	400
06	1/4	RK2550-06-17	9/16-18	3/8	23.5	38	5	9.9	19	22	23	320	400
08	5/16	RK2550-08-13	11/16-16	1/4	25	35.5	6.5	7.5	19	19	19	320	400
08	5/16	RK2550-08-17	11/16-16	3/8	26.5	38	6.5	9.9	19	22	23	320	400
08	5/16	RK2550-08-21	11/16-16	1/2	29.2	48.6	6.5	12.3	27	27	28,5	320	400
10	3/8	RK2550-10-13	11/16-16	1/4	25	35.8	6.5	7.5	19	19	19	320	400
10	3/8	RK2550-10-17	11/16-16	3/8	26.5	38	6.5	9.9	19	22	23	320	400
10	3/8	RK2550-10-21	11/16-16	1/2	29.2	48.6	6.5	12.3	27	27	28,5	320	400
12	1/2	RK2550-12-13	13/16-16	1/4	28	35.5	9.5	7.5	19	19	19	320	400
12	1/2	RK2550-12-17	13/16-16	3/8	28	38	9.5	9.9	19	22	23	320	400
12	1/2	RK2550-12-21	13/16-16	1/2	30.8	48.6	9.5	12.3	27	27	28,5	320	400
12	1/2	RK2550-12-26	13/16-16	3/4	33.5	51.4	9.5	15.5	30	36	34,5	250	330
14		RK2550-14-17	1"-14	3/8	33.5	40.7	12.5	9.9	27	22	23	320	400
14		RK2550-14-21	1"-14	1/2	33.5	48.6	12.5	12.3	27	27	28,5	320	400
14		RK2550-14-26	1"-14	3/4	35.8	51.4	12.5	15.5	30	36	34,5	320	400
14		RK2550-14-33	1"-14	1	39.7	58.4	12.5	21.5	36	41	44,5	320	400
15		RK2550-15-17	1"-14	3/8	33.5	40.7	12.5	9.9	27	22	23	320	400
15		RK2550-15-21	1"-14	1/2	33.5	48.6	12.5	12.3	27	27	28,5	320	400
15		RK2550-15-26	1"-14	3/4	35.8	51.4	12.5	15.5	30	36	34,5	320	400
15		RK2550-15-33	1"-14	1	39.7	58.4	12.5	21.5	36	41	44,5	320	400
16	5/8	RK2550-16-17	1"-14	3/8	33.5	40.7	12.5	9.9	27	22	23	320	400
16	5/8	RK2550-16-21	1"-14	1/2	33.5	48.6	12.5	12.3	27	27	28,5	320	400
16	5/8	RK2550-16-26	1"-14	3/4	35.8	51.4	12.5	15.5	30	36	34,5	320	400
16	5/8	RK2550-16-33	1"-14	1	39.7	58.4	12.5	21.5	36	41	44,5	320	400



## RK2550

RACCORDO DI ESTREMITA' 90°  
ORIENTABILE CON FILETTATURA  
TERMINALE BSPP

90° ROTARY END UNIONS WITH  
MALE BSPP CONNECTION



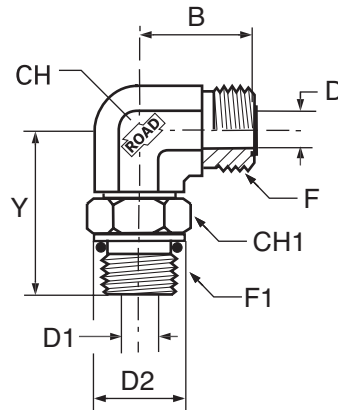
T	T	CODE	F	F1	B	Y	D	D1	CH	CH1	D2	Pressure	
Ø mm	Ø Poll.				mm	mm	mm	mm	mm	mm	mm	Wp	Max
18		RK2550-18-21	1-3/16-12	1/2	37.5	49.5	15.5	12.3	30	27	28,5	320	400
18		RK2550-18-26	1-3/16-12	3/4	37.5	51.4	15.5	15.5	30	36	34,5	250	330
18		RK2550-18-33	1-3/16-12	1	41.2	58.4	15.5	21.5	36	41	44,5	320	400
20	3/4	RK2550-20-21	1-3/16-12	1/2	37.5	49.5	15.5	12.3	30	27	28,5	320	400
20	3/4	RK2550-20-26	1-3/16-12	3/4	37.5	51.4	15.5	15.5	30	36	34,5	250	330
20	3/4	RK2550-20-33	1-3/16-12	1	41.2	58.4	15.5	21.5	36	41	44,5	320	400
22		RK2550-22-26	1-7/16-12	3/4	44.5	55.9	25	15.5	36	36	34,5	250	330
22		RK2550-22-33	1-7/16-12	1	41.5	58.4	20.5	21.5	36	41	44,5	250	330
22		RK2550-22-42	1-7/16-12	1-1/4	44.5	60.9	20.5	27.5	41	50	53	180	250
25	1"	RK2550-25-26	1-7/16-12	3/4	44.5	55.9	25	15.5	36	36	34,5	250	330
25	1"	RK2550-25-33	1-7/16-12	1	41.5	58.4	20.5	21.5	36	41	44,5	250	330
25	1"	RK2550-25-42	1-7/16-12	1-1/4	44.5	60.9	20.5	27.5	41	50	53	180	250
28		RK2550-28-33	1-3/16-12	1	44.5	60.9	26	21.5	41	41	44,5	250	400
28		RK2550-28-42	1-11/16	1-1/4	44.5	60.9	26	27.5	41	50	53	180	250
28		RK2550-28-48	1-11/16	1-1/2	49	64.7	26	33	48	55	58	180	250
30		RK2550-30-33	1-11/16	1	44.5	60.9	26	21.5	41	41	44,5	250	400
30		RK2550-30-42	1-11/16	1-1/4	44.5	60.9	26	27.5	41	50	53	180	250
30		RK2550-30-48	1-11/16	1-1/2	49	64.7	26	33	48	55	58	180	250
32	1"1/4	RK2550-32-33	1-11/16	1	44.5	60.9	26	21.5	41	41	44,5	250	400
32	1"1/4	RK2550-32-42	1-11/16	1-1/4	44.5	60.9	26	27.5	41	50	53	180	250
32	1"1/4	RK2550-32-48	1-11/16	1-1/2	49	64.7	26	33	48	55	58	180	250
35		RK2550-35-48	2"-12	1-1/2	49	64.7	32	33	48	55	58	180	250
38	1"1/2	RK2550-38-48	2"-12	1-1/2	49	64.7	32	33	48	55	58	180	250



# RK2560

**RACCORDO ORFS DI ESTREMITA' A 90° ORIENTABILE ORFS CON FILETTATURA TERMINALE METRICA CILINDRICO ISO 6149-2**

**90° ROTARY END UNIONS WITH MALE CYLINDRICAL METRIC CONNECTION ISO 6149-2**



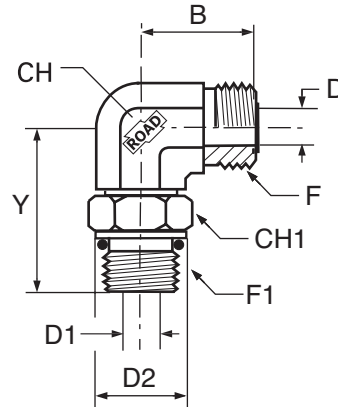
T	T	CODE	F	F1	B	Y	D	D1	CH	CH1	D2	Pressure	
												Wp	Max
Ø mm	Ø Poll.				mm	mm	mm	mm	mm	mm	mm		
06	1/4	RK2560-06-12	9/16-18	M12x1.5	21.5	33	5	4	14	17	17,7	400	530
06	1/4	RK2560-06-14	9/16-18	M14x1.5	24	33.5	5	6	19	19	19,8	400	530
08	5/16	RK2560-08-12	11/16-16	M12x1.5	25	33.5	6.5	4	19	17	17,7	400	530
08	5/16	RK2560-08-14	11/16-16	M14x1.5	25	35.5	6.5	6	19	19	19,8	400	530
08	5/16	RK2560-08-16	11/16-16	M16x1.5	25	37.5	6.5	7	19	22	23	400	530
10	3/8	RK2560-10-12	11/16-16	M12x1.5	25	35.5	6.5	4	19	17	17,7	400	530
10	3/8	RK2560-10-14	11/16-16	M14x1.5	25	35.5	6.5	6	19	19	19,8	400	530
10	3/8	RK2560-10-16	11/16-16	M16x1.5	25	37.5	6.5	7	19	22	23	400	530
12	1/2	RK2560-12-14	13/16-16	M14x1.5	28	36	9.5	6	19	17	19,8	400	530
12	1/2	RK2560-12-18	13/16-16	M18x1.5	28	41	9.5	9	19	24	25,5	400	530
12	1/2	RK2560-12-22	13/16-16	M22x1.5	31	49	9.5	12	27	27	29,2	400	530
14		RK2560-14-18	1-14	M18x1.5	33.5	47.5	12.5	9	27	24	25,5	400	530
14		RK2560-14-22	1-14	M22x1.5	33.5	49	12.5	12	27	27	29,2	400	530
15		RK2560-15-18	1-14	M18x1.5	33.5	47.5	12.5	9	27	24	25,5	400	530
15		RK2560-15-22	1-14	M22x1.5	33.5	49	12.5	12	27	27	29,2	400	530
16	5/8	RK2560-16-18	1-14	M18x1.5	33.5	47.5	12.5	9	27	24	25,5	400	530
16	5/8	RK2560-16-22	1-14	M22x1.5	33.5	49	12.5	12	27	27	29,2	400	530



## RK2560

RACCORDO ORFS DI ESTREMITA' A  
90° ORIENTABILE ORFS CON  
FILETTATURA TERMINALE METRICA  
CILINDRICO ISO 6149-2

90° ROTARY END UNIONS WITH  
MALE CYLINDRICAL METRIC  
CONNECTION ISO 6149-2



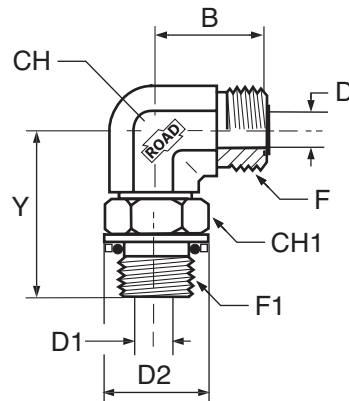
T	T	CODE	F	F1	B	Y	D	D1	CH	CH1	D2	Pressure	
Ø mm	Ø Poll.				mm	mm	mm	mm	mm	mm	mm	Wp	Max
18		RK2560 -18 -22	1-3/16-12	M22x1.5	33.5	49.5	15.5	12	30	27	29,2	400	530
18		RK2560 -18 -27	1-3/16-12	M27x2.0	37.5	55.5	15.5	15	30	32	34,7	400	530
20	3/4	RK2560 -20 -22	1-3/16-12	M22x1.5	33.5	49.5	15.5	12	30	27	29,2	400	530
20	3/4	RK2560 -20 -27	1-3/16-12	M27x2.0	37.5	55.5	15.5	15	30	32	34,7	400	530
22		RK2560 -22 -33	1-7/16-12	M33x2.0	41.5	59.5	20.5	20	36	41	43,6	400	530
25	1"	RK2560 -25 -33	1-7/16-12	M33x2.0	41.5	59.5	20.5	20	36	41	43,6	400	530
28		RK2560 -28 -33	1-11/16-12	M33x2.0	44.5	62	26	20	41	41	43,6	250	330
28		RK2560 -28 -42	1-11/16-12	M42x2.0	44.5	63	26	26	41	50	52,7	250	330
30		RK2560 -30 -33	1-11/16-12	M33x2.0	44.5	62	26	20	41	41	43,6	250	330
30		RK2560 -30 -42	1-11/16-12	M42x2.0	44.5	63	26	26	41	50	52,7	250	330
32	1"1/4	RK2560 -32 -33	1-11/16-12	M33x2.0	44.5	62	26	20	41	41	43,6	250	330
32	1"1/4	RK2560 -32 -42	1-11/16-12	M42x2.0	44.5	63	26	26	41	50	52,7	250	330
35		RK2560 -35 -48	2-12	M48x2.0	49	71.5	32	32	48	55	57,7	250	330
35	1"1/2	RK2560 -38 -48	2-12	M48x2.0	49	71.5	32	32	48	55	57,7	250	330



# RK2570

RACCORDO ORFS DI ESTREMITA' A  
90° ORIENTABILE CON  
FILETTATURA TERMINALE METRICA  
CILINDRICO DIN 3852-1

90° ROTARY END UNIONS WITH  
MALE CYLINDRICAL METRIC  
CONNECTION DIN 3852-1

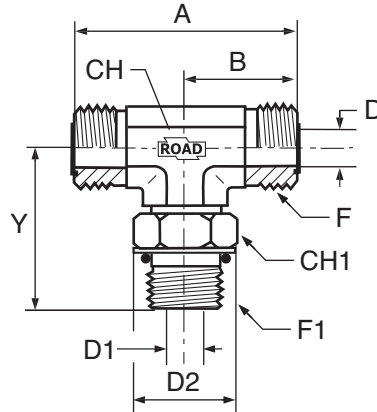


T	T	CODE	F	F1	B	Y	D	D1	CH	CH1	D2	Pressure	
Ø mm	Ø Poll.				mm	mm	mm	mm	mm	mm	mm	Wp	Max
06	1/4	RK2570 -06 -12	9/16-18	M12x1.5	21.5	33	5	4	14	17	17,7	250	350
08	5/16	RK2570 -08 -16	11/16-16	M16x1.5	25	37.5	6.5	7	19	22	23	250	350
10	3/8	RK2570 -10 -16	11/16-16	M16x1.5	25	37.5	6.5	7	19	22	23	250	350
12	1/2	RK2570 -12 -18	13/16-16	M18x1.5	28	41	9.5	9	19	24	25,5	250	350
14		RK2570 -14 -22	1-14	M22x1.5	33.5	49	12.5	12	27	27	29,2	250	350
15		RK2570 -15 -22	1-14	M22x1.5	33.5	49	12.5	12	27	27	29,2	250	350
16	5/8	RK2570 -16 -22	1-14	M22x1.5	33.5	49	12.5	12	27	27	29,2	250	350
18		RK2570 -18 -27	1-3/16-12	M27x2.0	37.5	55.5	15.5	15	30	32	34,7	160	260
20	3/4	RK2570 -20 -27	1-3/16-12	M27x2.0	37.5	55.5	15.5	15	30	32	34,7	160	260
22		RK2570 -22 -33	1-7/16-12	M33x2.0	41.5	59.5	20.5	20	36	41	43,6	160	260
25	1"	RK2570 -25 -33	1-7/16-12	M33x2.0	41.5	59.5	20.5	20	36	41	43,6	160	260
28		RK2570 -28 -42	1-11/16-12	M42x2.0	44.5	63	26	26	41	50	52,7	160	260
30		RK2570 -30 -42	1-11/16-12	M42x2.0	44.5	63	26	26	41	50	52,7	160	260
32	1"1/4	RK2570 -32 -42	1-11/16-12	M42x2.0	44.5	63	26	26	41	50	52,7	160	260
35		RK2570 -35 -48	2-12	M48x2.0	49	68.5	32	32	48	55	57,7	160	260
38	1"1/2	RK2570 -38 -48	2-12	M48x2.0	49	68.5	32	32	48	55	57,7	160	260



# RK2580

RACCORDO DI ESTREMITA' A T  
ORIENTABILE CENTRALE CON  
FILETTATURA TERMINALE UNF-2A  
T SHAPED ROTARY END UNIONS  
WITH MALE SAE CONNECTION



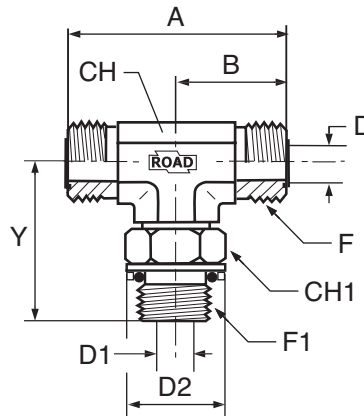
T	T	CODE	F	F1	A	B	Y	D	D1	CH	CH1	D2	Pressure	
Ø mm	Ø Poll.			mm	mm	mm	mm	mm	mm	mm	mm	mm	Wp	Max
06	1/4	RK2580 -06--11	9/16-18	7/16-20	43	21.5	33	5	4.5	14	14	16,6	400	530
08	5/16	RK2580 -08 -14	11/16-16	9/16-18	50	25	36.8	6.5	5.5	19	19	19,8	400	530
10	3/8	RK2580 -10 -14	11/16-16	9/16-18	50	25	36.8	6.5	5.5	19	19	19,8	400	530
12	1/2	RK2580 -12 -19	13/16-16	3/4-16	56	28	40.6	9.5	9.5	19	24	26,9	400	530
14		RK2580 -14 -22	1-14	7/8-14	67	33.5	50	12.5	12.3	27	27	29,2	400	530
15		RK2580 -15 -22	1-14	7/8-14	67	33.5	50	12.5	12.3	27	27	29,2	400	530
16	5/8	RK2580 -16 -22	1-14	7/8-14	67	33.5	50	12.5	12.3	27	27	29,2	400	530
18		RK2580 -18 -27	1-3/16-12	1-1/16-12	75	37.5	55	15.5	15.5	30	32	34,7	400	530
20	3/4	RK2580 -20 -27	1-3/16-12	1-1/16-12	75	37.5	55	15.5	15.5	30	32	31,7	400	530
22		RK2580 -22 -33	1-7/16-12	1-5/16-12	83	41.5	59.7	20.5	20.5	36	38	43,6	400	530
25	1"	RK2580 -22 -33	1-7/16-12	1-5/16-12	83	41.5	59.7	20.5	20.5	36	38	43,6	400	530
28		RK2580 -28 -42	1-11/-12	1-5/8-12	89	44.5	62.3	26	26	41	50	52,7	250	330
30		RK2580 -30 -42	1-11/-12	1-5/8-12	89	44.5	62.3	26	26	41	50	52,7	250	330
32	1 1/4	RK2580 -32 -42	1-11/-12	1-5/8-12	89	44.5	62.3	26	26	41	50	52,7	250	330
35		RK2580 -35 -48	2-12	1-7/8-12	98	49	65.8	32	32	48	55	57,7	250	330
38	1 1/2	RK2580 -38 -48	2-12	1-7/8-12	98	49	65.8	32	32	48	55	57,7	250	330



# RK2590

**RACCORDO DI ESTREMITA' A T  
ORIENTABILE ORFS CENTRALE  
CON FILETTATURA TERMINALE  
BSPP**

**T SHAPED ROTARY END UNIONS  
WITH MALE CONNECTION BSPP**



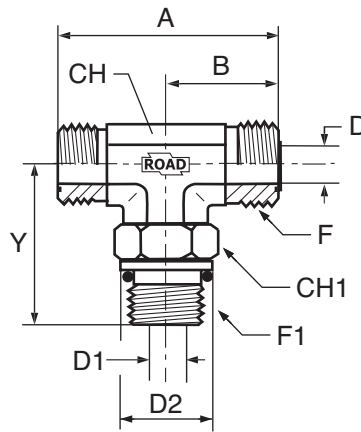
T	T	CODE	F	F1	A	B	Y	D	D1	CH	CH1	D2	Pressure	
Ø mm	Ø Poll.				mm	mm	mm	mm	mm	mm	mm	mm	Wp	Max
06	1/8	RK2590-06-10	9/16-18	1/8	43	21.5	30.2	5	4.4	14	14	16	320	400
06	1/4	RK2590-06-13	9/16-18	1/4	47	23.5	36	5	7.5	19	19	19	320	400
08	5/16	RK2590-08-13	11/16-16	1/4	50	25	36	5.7	7.5	19	19	19	320	400
08	5/16	RK2590-08-17	11/16-16	3/8	53	26.5	38	6.5	9.9	19	22	23	320	400
10	3/8	RK2590-10-13	11/16-16	1/4	50	25	36	5.7	7.5	19	19	19	320	400
10	5/16	RK2590-10-17	11/16-16	3/8	53	26.5	38	6.5	9.9	19	22	23	320	400
12	1/2	RK2590-12-17	13/16-16	3/8	56	28	38	9.5	9.9	19	22	23	320	400
12	1/2	RK2590-12-21	13/16-16	1/2	56	28	38	9.5	12.3	19	27	28,5	320	400
14		RK2590-14-21	1-14	1/2	67	33.5	48.6	12.5	12.3	27	27	28,5	320	400
14		RK2590-14-26	1-14	3/4	71.6	35.8	51.5	12.5	15.5	30	36	34,5	250	330
15		RK2590-15-21	1-14	1/2	67	33.5	48.6	12.5	12.3	27	27	28,5	320	400
15		RK2590-15-26	1-14	3/4	71.6	35.8	51.5	12.5	15.5	30	36	34,5	250	330
16	5/8	RK2590-16-21	1-14	1/2	67	33.5	48.6	12.5	12.3	27	27	28,5	320	400
16	5/8	RK2590-16-26	1-14	3/4	71.6	35.8	51.5	12.5	15.5	30	36	34,5	250	330
18		RK2590-18-26	1-3/16-12	3/4	75	37.5	51.5	15.5	15.5	30	36	34,5	250	330
20	3/4	RK2590-20-26	1-3/16-12	3/4	75	37.5	51.5	15.5	15.5	30	36	34,5	250	330
22		RK2590-22-33	1-7/16-12	1	83	41.5	58.4	20.5	21.5	36	41	44,5	250	330
25	1"	RK2590-25-33	1-7/16-12	1	83	41.5	58.4	20.5	21.5	36	41	44,5	250	330
28		RK2590-28-42	1-11/16-12	1 1/4	85	44.5	61	26	27.5	41	50	44,5	180	250
30		RK2590-30-42	1-11/16-12	1 1/4	85	44.5	61	26	27.5	41	50	53	180	250
32	1"1/4	RK2590-32-42	1-11/16-12	1 1/4	85	44.5	61	26	27.5	41	50	53	180	250
35		RK2590-35-48	2-12	1 1/2	98	49	65	32	33	50	55	58	180	250
38	1"1/2	RK2590-38-48	2-12	1 1/2	98	49	65	32	33	50	55	58	180	250



## RK2600

RACCORDO DI ESTREMITA' A T  
ORIENTABILE CENTRALE CON  
FILETTATURA TERMINALE METRICO  
CILINDRICO ISO 6149-2

T SHAPED ROTARY END UNIONS  
WITH MALE CYLINDRICAL METRIC  
CONNECTION ISO 6149-2



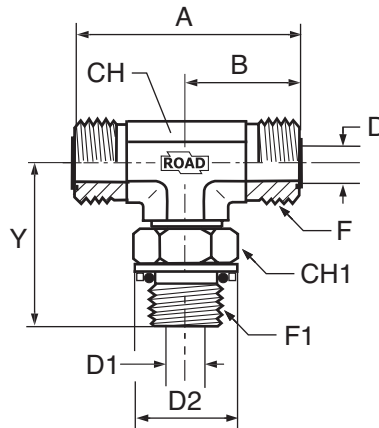
T	T	CODE	F	F1	A	B	Y	D	D1	CH	CH1	D2	Pressure	
Ø mm	Ø Poll.				mm	mm	mm	mm	mm	mm	mm	mm	Wp	Max
06	1/4	RK2600-06-12	9/16-18	M12x1.5	43	21.5	33	5	4.4	14	17	17,7	400	530
08	5/16	RK2600-08-16	11/16-16	M16x1.5	50	25	37.5	6.5	7	19	22	23	400	530
10	3/8	RK2600-10-16	11/16-16	M16x1.5	50	25	37.5	6.5	7	19	22	23	400	530
12	1/2	RK2600-12-18	13/16-16	M18x1.5	56	28	41	9.5	9	19	24	25,5	400	530
14		RK2600-14-22	1-14	M22x1.5	67	33.5	48.7	12.5	12	27	27	29,2	400	530
15		RK2600-15-22	1-14	M22x1.5	67	33.5	48.7	12.5	12	27	27	29,2	400	530
16	5/8	RK2600-16-22	1-14	M22x1.5	67	33.5	48.7	12.5	12	27	27	29,2	400	530
18		RK2600-18-27	1-3/1612	M27x2.0	75	37.5	55.5	15.5	15	30	32	34,7	400	530
20	3/4	RK2600-20-27	1-3/1612	M27x2.0	75	37.5	55.5	15.5	15	30	32	34,7	400	530
22		RK2600-22-33	1-7/16-12	M33x2.0	83	41.5	59.5	20.5	20	36	41	43,6	400	530
25	1"	RK2600-25-33	1-7/16-12	M33x2.0	83	41.5	59.5	20.5	20	36	41	43,6	400	530
28		RK2600-28-42	1-11/16-12	M42x2.0	89	44.5	63	26	26	41	50	52,7	250	330
30		RK2600-30-42	1-11/16-12	M42x2.0	89	44.5	63	26	26	41	50	52,7	250	330
32	1"1/4	RK2600-32-42	1-11/16-12	M42x2.0	89	44.5	63	26	26	41	50	52,7	250	330
35		RK2600-35-48	2-12	M48x2.0	98	49	73.5	32	32	48	55	57,7	250	330
38	1"1/2	RK2600-38-48	2-12	M48x2.0	98	49	73.5	32	32	48	55	57,7	250	330



# RK2610

RACCORDO DI ESTREMITA' A T  
ORIENTABILE CENTRALE CON  
FILETTATURA TERMINALE METRICO  
CILINDRICO DIN 3852-1

*T SHAPED ROTARY END UNIONS  
WITH MALE CYLINDRICAL METRIC  
CONNECTION DIN 3852-1*

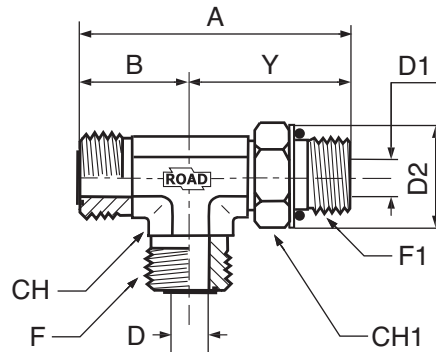


T	T	CODE	F	F1	A	B	Y	D	D1	CH	CH1	D2	Pressure	
													Wp	Max
Ø mm	Ø Poll.				mm	mm	mm	mm	mm	mm	mm	mm		
06	1/4	RK2610-06-12	9/16-18	M12x1.5	43	21.5	33	5	4.4	14	17	17,7	320	400
08	5/16	RK2610-08-16	11/16-16	M16x1.5	50	25	37.5	6.5	7	19	22	22,9	320	400
10	3/8	RK2610-10-16	11/16-16	M16x1.5	50	25	37.5	6.5	7	19	22	22,9	320	400
12	1/2	RK2610-12-18	13/16-16	M18x1.5	56	28	41	9.5	9	19	24	25,5	320	400
14		RK2610-14-22	1-14	M22x1.5	67	33.5	48.7	12.5	12	27	27	25,5	320	400
15		RK2610-15-22	1-14	M22x1.5	67	33.5	48.7	12.5	12	27	27	25,5	320	400
16	5/8	RK2610-16-22	1-14	M22x1.5	67	33.5	48.7	12.5	12	27	27	25,5	320	400
18		RK2610-18-27	1-3/16-12	M27x2.0	75	37.5	55.5	15.5	15	30	32	34,7	250	330
20	3/4	RK2610-20-27	1-3/16-12	M27x2.0	75	37.5	55.5	15.5	15	30	32	34,7	250	330
22		RK2610-22-33	1-7/16-12	M33x2.0	83	41.5	59.5	20.5	20	36	41	43,6	250	330
25	1"	RK2610-25-33	1-7/16-12	M33x2.0	83	41.5	59.5	20.5	20	36	41	43,6	250	330
28		RK2610-28-42	1-11/16-12	M42x2.0	89	44.5	63	26	26	41	50	52,7	180	250
30		RK2610-30-42	1-11/16-12	M42x2.0	89	44.5	63	26	26	41	50	52,7	180	250
32	1"1/4	RK2610-32-42	1-11/16-12	M42x2.0	89	44.5	63	26	26	41	50	52,7	180	250
35		RK2610-35-48	2-12	M48x2.0	98	49	73.5	32	32	48	55	57,7	180	250
38	1"1/2	RK2610-38-48	2-12	M48x2.0	98	49	73.5	32	32	48	55	57,7	180	250



## RK2620

RACCORDO DI ESTREMITÀ T  
ORIENTABILE LATERALE CON  
FILETTATURA TERMINALE UNF-2A  
T SHAPED ROTARY END UNIONS  
WITH MALE CYLINDRICAL UNF-2A  
CONNECTION

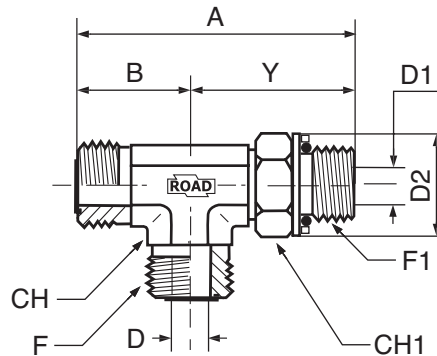


T	T	CODE	F	F1	A	B	Y	D	D1	CH	CH1	D2	Pressure	
Ø mm	Ø Poll.			mm	mm	mm	mm	mm	mm	mm	mm	mm	Wp	Max
06	1/4	RK2620 -06 -11	9/16-18	7/16-20	54.5	21.5	33	5	4.4	14	14	16,6	400	530
08	5/16	RK2620 -08 -14	11/16-16	9/16-18	61.8	25	36.8	6.5	6.7	19	19	19,8	400	530
10	3/8	RK2620 -10 -14	11/16-16	9/16-18	61.8	25	36.8	6.5	6.7	19	19	19,8	400	530
12	1/2	RK2620 -12 -19	13/16-16	3/4-16	68.6	28	40.6	9.5	9.5	19	24	26,9	400	530
14		RK2620 -14 -22	1-14	7/8-14	83.5	33.5	50	12.5	12.3	27	27	29,2	400	530
15		RK2620 -14 -22	1-14	7/8-14	83.5	33.5	50	12.5	12.3	27	27	29,2	400	530
16	5/8	RK2620 -14 -22	1-14	7/8-14	83.5	33.5	50	12.5	12.3	27	27	29,2	400	530
18		RK2620 -18 -27	1-3/16-12	1-1/16-12	92.6	37.5	55.1	15.5	15.5	30	32	34,7	400	530
20	3/4	RK2620 -20 -27	1-3/16-12	1-1/16-12	92.6	37.5	55.1	15.5	15.5	30	32	34,7	400	530
22		RK2620 -22 -33	1-7/16-12	1-5/16-12	101.2	41.5	59.7	20.5	20.5	36	38	43,6	315	510
25	1"	RK2620 -25 -33	1-7/16-12	1-5/16-12	101.2	41.5	59.7	20.5	20.5	36	38	43,6	315	510
28		RK2620 -28 -41	1-11/16-12	1-5/8-12	106.8	44.5	62.3	26	26	41	50	52,7	250	330
30		RK2620 -30 -41	1-11/16-12	1-5/8-12	106.8	44.5	62.3	26	26	41	50	52,7	250	330
32	1 1/4	RK2620 -32 -41	1-11/16-12	1-5/8-12	106.8	44.5	62.3	26	26	41	50	52,7	250	330
35		RK2620 -35 -48	2-12	1-7/8-12	114.8	49	65.8	32	32	48	55	57,7	250	330
38	1 1/4	RK2620 -38 -48	2-12	1-7/8-12	114.8	49	65.8	32	32	48	55	57,7	250	330



# RK2630

**RACCORDO DI ESTREMITA' T  
ORIENTABILE LATERALE CON  
FILETTATURA TERMINALE BSPP**  
**T SHAPED ROTARY END UNIONS  
WITH MALE BSPP CONNECTION**



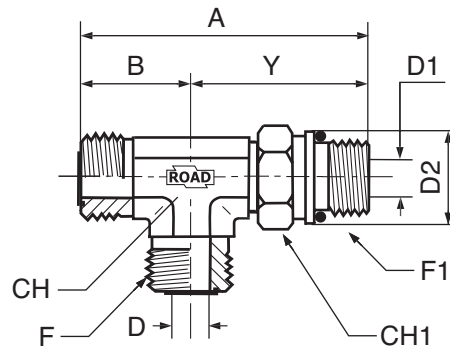
T	T	CODE	F	F1	A	B	Y	D	D1	CH	CH1	D2	Pressure
Ø mm	Ø Poll.				mm	mm	mm	mm	mm	mm	mm	mm	Wp Max
06	1/8	RK2630-06 -10	9/16-18	1/8	51.5	21.5	30	5	4.4	14	14	16	320 400
06	1/4	RK2630-06 -13	9/16-18	1/4	59.5	23.5	36	5	7.5	19	19	19	320 400
08	5/16	RK2630-08 -13	11/16-16	1/4	61	25	36	6.5	7.5	19	19	19	320 400
08	5/16	RK2630-08 -17	11/16-16	3/8	64.5	26.5	38	6.5	9.9	19	22	23	320 400
10	3/8	RK2630-10 -13	11/16-16	1/4	61	25	36	6.5	7.5	19	19	19	320 400
10	3/8	RK2630-10 -17	11/16-16	3/8	64.5	26.5	38	6.5	9.9	19	22	23	320 400
12	1/2	RK2630-12 -17	13/16-16	3/8	66	28	38	9.5	9.5	19	22	23	320 400
12	1/2	RK2630-12 -21	13/16-16	1/2	79.3	30.8	48.5	9.5	12.3	27	27	28,5	320 400
14		RK2630-14 -21	1-14	1/2	82	33.5	48.5	12.5	12.3	27	27	28,5	320 400
14		RK2630-14 -26	1-14	3/4	87.5	36	51.5	12.5	15.5	30	36	34,6	250 330
15		RK2630-15 -21	1-14	1/2	82	33.5	48.5	12.5	12.3	27	27	28,6	320 400
15		RK2630-15 -26	1-14	3/4	87.5	36	51.5	12.5	15.5	30	36	34,5	250 330
16	5/8	RK2630-16 -21	1-14	1/2	82	33.5	48.5	12.5	12.3	27	27	28,5	320 400
16	5/8	RK2630-16 -26	1-14	3/4	87.5	36	51.5	12.5	15.5	30	36	34,5	250 330
18		RK2630-18 -26	1-3/16-12	3/4	89	37.5	51.5	15.5	15.5	30	36	34,5	250 330
18		RK2630-18 -33	1-3/16-12	1	100	41.5	58.5	15.5	21.5	36	41	44,5	250 330
20	3/4	RK2630-20 -26	1-3/16-12	3/4	89	37.5	51.5	15.5	15.5	30	36	34,7	250 330
20	3/4	RK2630-20 -33	1-3/16-12	1	100	41.5	58.5	15.5	21.5	36	41	44,5	250 330
22		RK2630-22 -33	1-7/16-12	1	100	41.5	58.5	20.5	21.5	36	41	44,5	250 330
25	1"	RK2630-25 -33	1-7/16-12	1	100	41.5	58.5	20.5	21.5	36	41	44,5	250 330
28		RK2630-28 -42	1-11/16-12	1 1/4	105.5	44.5	61	26	27.5	41	50	53	180 250
30		RK2630-30 -42	1-11/16-12	1 1/4	105.5	44.5	61	26	27.5	41	50	53	180 250
32	1"1/4	RK2630-32 -42	1-11/16-12	1 1/4	105.5	44.5	61	26	27.5	41	50	53	180 250
35		RK2630-35 -48	2-12	1 1/2	114	49	65	32	33	50	55	58	180 250
38	1"1/2	RK2630-38 -48	2-12	1 1/2	114	49	65	32	33	50	55	58	180 250



# RK2640

RACCORDO DI ESTREMITA' A T  
ORIENTABILE LATERALE CON  
FILETTATURA TERMINALE METRICO  
CILINDRICO ISO 6149-2

T SHAPED ROTARY END UNIONS  
WITH MALE CYLINDRICAL METRIC  
CONNECTION ISO 6149-2



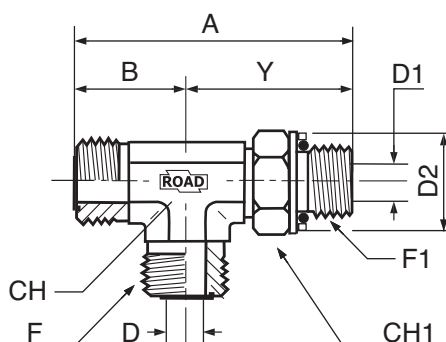
T	T	CODE	F	F1	A	B	Y	D	D1	CH	CH1	D2	Pressure	
Ø mm	Ø Poll.				mm	mm	mm	mm	mm	mm	mm	mm	Wp	Max
06	1/4	RK2640-06-12	9/16-18	M12x1.5	54.5	21.5	33	5	4	14	17	17,7	400	530
08	5/16	RK2640-08-16	11/16-16	M16x1.5	64.5	25	39.5	6.5	7	19	22	23	400	530
10	3/8	RK2640-10-16	11/16-16	M16x1.5	64.5	25	39.5	6.5	7	19	22	23	400	530
12	1/2	RK2640-12-18	13/16-16	M18x1.5	69	28	41	9.5	9	19	24	25,5	400	530
14		RK2640-14-22	1-14	M22x1.5	82.5	33.5	49	12.5	12	27	27	29,2	400	530
15		RK2640-15-22	1-14	M22x1.5	82.5	33.5	49	12.5	12	27	27	29,2	400	530
16	5/8	RK2640-16-22	1-14	M22x1.5	82.5	33.5	49	12.5	12	27	27	29,2	400	530
18		RK2640-18-27	1-3/16-12	M27x2	93	37.5	55.5	15.5	15	30	32	34,7	400	530
20	3/4	RK2640-20-27	1-3/16-12	M27x2	93	37.5	55.5	15.5	15	30	32	34,7	400	530
22		RK2640-22-33	1-7/16-12	M33x2	101	41.5	59.5	20.5	20	36	41	43,6	400	530
25	1"	RK2640-25-33	1-7/16-12	M33x2	101	41.5	59.5	20.5	20	36	41	43,6	400	530
28		RK2640-28-42	1-11/16-12	M42x2	107.5	44.5	63	26	26	41	50	52,7	250	330
30		RK2640-30-42	1-11/16-12	M42x2	107.5	44.5	63	26	26	41	50	52,7	250	330
32	1"1/4	RK2640-32-42	1-11/16-12	M42x2	107.5	44.5	63	26	26	41	50	52,7	250	330
35		RK2640-35-48	2-12	M48x2	120.5	49	71.5	32	32	50	55	57,7	250	330
38	1"1/2	RK2640-38-48	2-12	M48x2	120.5	49	71.5	32	32	50	55	57,7	250	330



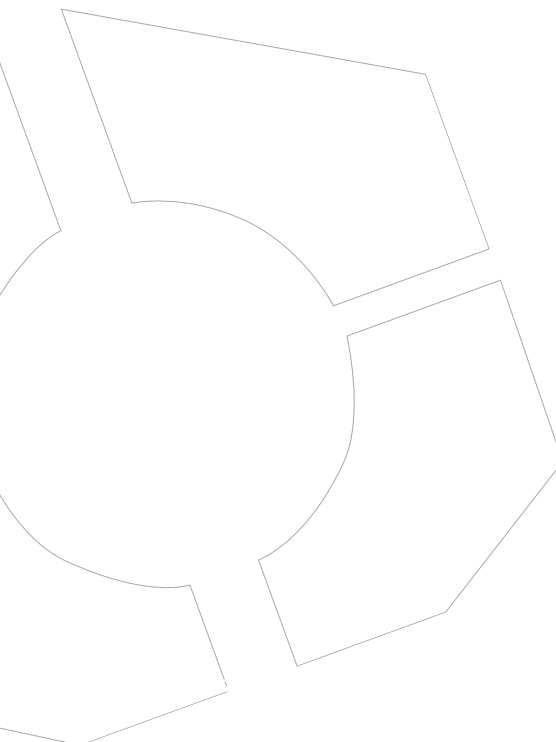
# RK2650

**RACCORDO DI ESTREMITA' A T  
ORIENTABILE LATERERALE CON  
FILETTATURA TERMINALE METRICO  
CILINDRICO DIN 3852-1**

**T SHAPED ROTARY END UNIONS  
WITH MALE CYLINDRICAL METRIC  
CONNECTION DIN 3852-1**

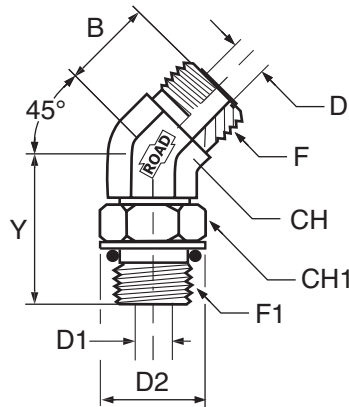


T	T	CODE	F	F1	A	B	Y	D	D1	CH	CH1	D2	Pressure	
													Wp	Max
Ø mm	Ø Poll.				mm	mm	mm	mm	mm	mm	mm	mm		
06	1/4	RK2650-06-12	9/16-18	M12x1.5	54.5	21.5	33	5	4	14	17	17,7	320	400
08	5/16	RK2650-08-16	11/16-16	M16x1.5	62.5	25	37.5	6.5	7	19	22	22,9	320	400
10	3/8	RK2650-10-16	11/16-16	M16x1.5	62.5	25	37.5	6.5	7	19	22	22,9	320	400
12	1/2	RK2650-12-18	13/16-16	M18x1.5	69	28	41	9.5	9	19	24	25,5	320	400
14		RK2650-14-22	1-14	M22x1.5	82.5	33.5	49	12.5	12	24	27	29,2	320	400
15		RK2650-15-22	1-14	M22x1.5	82.5	33.5	49	12.5	12	24	27	29,2	320	400
16	5/8	RK2650-16-22	1-14	M22x1.5	82.5	33.5	49	12.5	12	24	27	29,2	320	400
18		RK2650-18-27	1-3/16-12	M27x2.0	93	37.5	55.5	15.5	15	27	32	34,7	250	330
20	3/4	RK2650-20-27	1-3/16-12	M27x2.0	93	37.5	55.5	15.5	15	27	32	34,7	250	330
22		RK2650-22-33	1-7/16-12	M33x2.0	101	41.5	59.5	20.5	20	36	41	43,6	180	250
25	1"	RK2650-25-33	1-7/16-12	M33x2.0	101	41.5	59.5	20.5	20	36	41	43,6	180	250
28		RK2650-28-42	1-11/16-12	M42x2.0	107.5	44.5	63	26	26	41	50	52,7	180	250
30		RK2650-30-42	1-11/16-12	M42x2.0	107.5	44.5	63	26	26	41	50	52,7	180	250
32	1"1/4	RK2650-32-42	1-11/16-12	M42x2.0	107.5	44.5	63	26	26	41	50	52,7	180	250
35		RK2650-35-48	2-12	M48x2.0	117.5	49	68.5	32	32	50	55	57,7	180	250
38	1"1/2	RK2650-38-48	2-12	M48x2.0	117.5	49	68.5	32	32	50	55	57,7	180	250



# RK2660

RACCORDO DI ESTREMITA` A 45°  
ORFS ORIENTABILE CON  
FILETTATURA TERMINALE UNF-2A  
45° ORFS ROTARY END UNIONS  
WITH MALE SAE CONNECTION

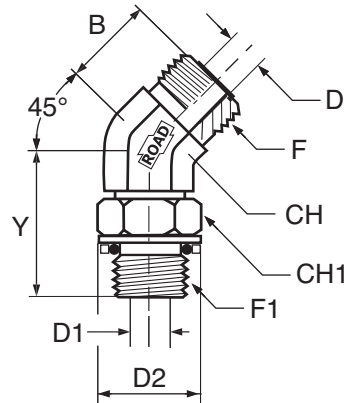


T	T	CODE	F	F1	B	Y	D	D1	CH	CH1	D2	Pressure	
Ø mm	Ø Poll.				mm	mm	mm	mm	mm	mm	mm	Wp	Max
06	1/4	RK2660-06-11	9/16-18	7/16-20	16	30	5	4.4	14	14	16,6	400	530
06	1/4	RK2660-06-14	9/16-18	9/16-18	17.3	33	5	6.5	19	19	19,8	400	530
08	5/16	RK2660-08-11	11/16-16	7/16-20	19	31	6.5	4.4	19	14	16,6	400	530
08	5/16	RK2660-08-14	11/16-16	9/16-18	19	33	6.5	6.5	19	18	19,8	400	530
08	5/16	RK2660-08-19	11/16-16	3/4-16	19	36.3	6.5	9.5	19	24	26,9	400	530
10	3/8	RK2660-10-11	11/16-16	7/16-20	19	31	6.5	4.4	19	14	16,6	400	530
10	3/8	RK2660-10-14	11/16-16	9/16-18	19	33	6.5	6.5	19	19	19,8	400	530
10	3/8	RK2660-10-19	11/16-16	3/4-16	19	36.3	6.5	9.5	19	24	26,9	400	530
12	1/2	RK2660-12-14	13/16-16	9/16-18	20.5	32.2	9.5	6.5	19	19	19,8	400	530
12	1/2	RK2660-12-19	13/16-16	3/4-16	20.5	36.3	9.5	9.5	19	24	26,9	400	530
12	1/2	RK2660-12-22	13/16-16	7/8-14	21	44.7	9.5	12.3	27	27	29,2	400	530
14		RK2660-14-19	1-14	3/4-16	24.4	40.4	12.5	9.5	27	24	26,9	400	530
14		RK2660-14-22	1-14	7/8-14	23.5	44.7	12.5	12.3	27	27	29,2	400	530
14		RK2660-14-27	1-14	1-1/16-12	24.9	50	12.5	15.5	30	32	34,7	400	530
15		RK2660-15-19	1-14	3/4-16	24.4	40.4	12.5	9.5	27	24	26,9	400	530
15		RK2660-15-22	1-14	7/8-14	23.5	44.7	12.5	12.3	27	27	29,2	400	530
15		RK2660-15-27	1-14	1-1/16-12	24.9	50	12.5	15.5	30	32	34,7	400	530
16	5/8	RK2660-16-19	1-14	3/4-16	24.4	40.4	12.5	9.5	27	24	26,9	400	530
16	5/8	RK2660-16-22	1-14	7/8-14	23.5	44.7	12.5	12.3	27	27	29,2	400	530
16	5/8	RK2660-16-27	1-14	1-1/16-12	24.9	50	12.5	15.5	30	32	34,7	400	530
18		RK2660-18-22	1-3/16-12	7/8-14	26	46	15.5	12.3	30	27	29,2	400	530
18		RK2660-18-27	1-3/16-12	1-1/16-12	26	50	15.5	20.5	36	32	34,7	400	530
18		RK2660-18-33	1-3/16-12	1-5/16-12	29.5	52.5	15.5	20.5	36	38	43,6	380	570
20	3/4	RK2660-18-22	1-3/16-12	7/8-14	26	46	15.5	12.3	30	27	29,2	400	530
20	3/4	RK2660-18-27	1-3/16-12	1-1/16-12	26	50	15.5	20.5	36	32	34,7	400	530
20	3/4	RK2660-18-33	1-3/16-12	1-5/16-12	29.5	52.5	15.5	20.5	36	38	43,6	380	570
22		RK2660-22-27	1-7/16-12	1-1/16-12	30	51.6	20.5	15.5	36	32	34,7	400	530
22		RK2660-22-33	1-7/16-12	1-5/16-12	30	52.5	20.5	20.5	36	38	43,6	380	570
22		RK2660-22-41	1-7/16-12	1-5/8-12	32	53.5	20.5	26	41	50	52,7	250	450
25	1"	RK2660-25-27	1-7/16-12	1-1/16-12	30	51.6	20.5	15.5	36	32	52,7	400	530
25	1"	RK2660-25-33	1-7/16-12	1-5/16-12	30	52.5	20.5	20.5	36	38	43,6	380	570
25	1"	RK2660-25-41	1-7/16-12	1-5/8-12	32	53.5	20.5	26	41	50	52,7	250	450
28		RK2660-28-41	1-11/16-12	1-5/8-12	32	54	26	26	41	50	52,7	250	450
30		RK2660-30-41	1-11/16-12	1-5/8-12	32	54	26	26	41	50	52,7	250	450
32	1"1/4	RK2660-32-41	1-11/16-12	1-5/8-12	32	54	26	26	41	50	52,7	250	450
35		RK2660-35-48	2-12	1-7/8-12	37	54	32	32	50	55	57,7	250	330
38	1"1/2	RK2660-38-48	2-12	1-7/8-12	37	54	32	32	50	55	57,7	250	330



# RK2670

**RACCORDO DI ESTREMITA' A 45°  
ORFS ORIENTABILE CON  
FILETTATURA TERMINALE BSPP  
45° ROTARY END UNIONS WITH  
MALE BSPP CONNECTION**



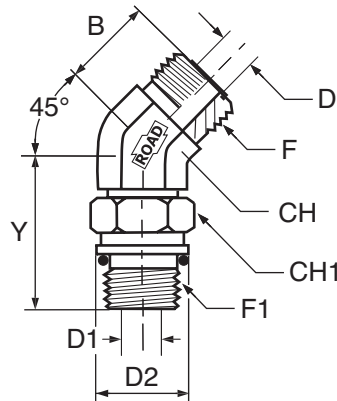
T	T	CODE	F	F1	B	Y	D	D1	CH	CH1	D2	Pressure	
Ø mm	Ø Poll.				mm	mm	mm	mm	mm	mm	mm	Wp	Max
06	1/4	RK2670-06-10	9/16-18	1/8	16	27.5	5	4.4	14	14	16	320	400
06	1/4	RK2670-06-13	9/16-18	1/4	16	30	5	7.5	19	19	19	320	400
08	5/16	RK2670-08-13	11/16-16	1/4	18	32	6.5	7.5	19	19	19	320	400
08	5/16	RK2670-08-17	11/16-16	3/8	18	33.5	6.5	9.9	19	22	23	320	400
08	5/16	RK2670-08-21	11/16-16	1/2	19.5	43.5	6.5	12.3	27	27	28,5	320	400
10	3/8	RK2670-10-13	11/16-16	1/4	18	32	6.5	7.5	19	19	19	320	400
10	3/8	RK2670-10-17	11/16-16	3/8	18	33.5	6.5	9.9	19	22	23	320	400
10	3/8	RK2670-10-21	11/16-16	1/2	19.5	43.5	6.5	12.3	27	27	28,5	320	400
12	1/2	RK2670-12-17	13/16-16	3/8	20.5	33.5	9.5	9.9	19	22	23	320	400
14		RK2670-14-21	1-14	1/2	23.5	43.5	12.5	12.3	27	27	28,5	320	400
14		RK2670-14-26	1-14	3/4	24.5	46.5	12.5	15.5	30	36	34,5	320	400
15		RK2670-15-21	1-14	1/2	23.5	43.5	12.5	12.3	27	27	28,5	250	330
15		RK2670-15-26	1-14	3/4	24.5	46.5	12.5	15.5	30	36	34,5	250	330
16	5/8	RK2670-16-21	1-14	1/2	23.5	43.5	12.5	12.3	27	27	28,5	320	400
16	5/8	RK2670-16-26	1-14	3/4	24.5	46.5	12.5	15.5	30	36	34,5	250	330
18		RK2670-18-26	1-3/16-12	3/4	26	46.5	15.5	15.5	30	36	34,5	250	330
18		RK2670-18-33	1-3/16-12	1	29.5	51	15.5	21.5	36	41	44,5	250	330
20	3/4	RK2670-18-26	1-3/16-12	3/4	26	46.5	15.5	15.5	30	36	34,5	250	330
20	3/4	RK2670-18-33	1-3/16-12	1	29.5	51	15.5	21.5	36	41	44,5	250	330
22		RK2670-22-33	1-7/16-12	1	30	51	20.5	21.5	36	41	44,5	250	330
25	1"	RK2670-25-33	1-7/16-12	1	30	51	20.5	21.5	36	41	44,5	250	330
28		RK2670-28-42	1-11/16-12	1 1/4	32	51.5	26	27.5	41	50	53	180	250
30		RK2670-30-42	1-11/16-12	1 1/4	32	51.5	26	27.5	41	50	53	180	250
32	1"1/4	RK2670-32-42	1-11/16-12	1 1/4	32	51.5	26	27.5	41	50	53	180	250
35		RK2670-35-48	2-12	1 1/2	37	52.5	32	33	50	55	58	180	250
38	1"1/2	RK2670-38-48	2-12	1 1/2	37	52.5	32	33	50	55	58	180	250



## RK2680

RACCORDO DI ESTREMITA' A 45°  
ORIENTABILE ORFS CON  
FILETTATURA TERMINALE METRICA  
CILINDRICO ISO 6149-2

45° ROTARY END UNIONS WITH  
MALE CYLINDRICAL METRIC  
CONNECTION ISO 6149-2



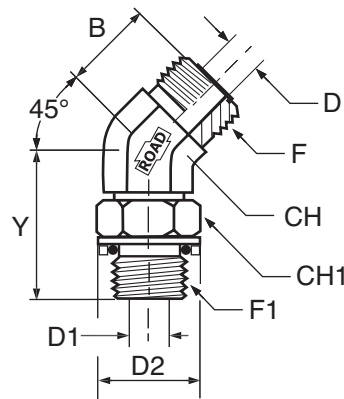
T	T	CODE	F	F1	B	Y	D	D1	CH	CH1	D2	Pressure	
Ø mm	Ø Poll.				mm	mm	mm	mm	mm	mm	mm	Wp	Max
06	1/4	RK2680-06-12	9/16-18	M12x1.5	16	30	5	4	14	17	17,7	400	530
08	5/16	RK2680-08-16	11/16-16	M16x1.5	19	33.5	6.5	7	19	22	23	400	530
10	3/8	RK2680-10-16	11/16-16	M16x1.5	19	33.5	6.5	7	19	22	23	400	530
12	1/2	RK2680-12-18	13/16-16	M18x1.5	19	20.5	9.5	9	19	24	25,5	400	530
14		RK2680-14-22	1-14	M22x1.5	23.5	44	12.5	12	27	27	29,2	400	530
15		RK2680-15-22	1-14	M22x1.5	23.5	44	12.5	12	27	27	29,2	400	530
16	5/8	RK2680-16-22	1-14	M22x1.5	23.5	44	12.5	12	27	27	29,2	400	530
18		RK2680-18-27	1-3/16-12	M27x2	26	50.5	15.5	15	30	32	34,7	400	530
20	3/4	RK2680-20-27	1-3/16-12	M27x2	26	50.5	15.5	15	30	32	34,7	400	530
22		RK2680-22-33	1-7/16-12	M33x2	30	52.5	20.5	20	36	41	43,6	400	530
25	1"	RK2680-25-33	1-7/16-12	M33x2	30	52.5	20.5	20	36	41	43,6	400	530
28		RK2680-28-42	1-11/16-12	M42x2	32	54	26	26	41	50	52,7	250	330
30		RK2680-30-42	1-11/16-12	M42x2	32	54	26	26	41	50	52,7	250	330
32	1"1/4	RK2680-32-42	1-11/16-12	M42x2	32	54	26	26	41	50	52,7	250	330
35		RK2680-35-48	2-12	M48x2	37	56.5	32	32	50	55	57,7	250	330
38	1"1/2	RK2680-38-48	2-12	M48x2	37	56.5	32	32	50	55	57,7	250	330



## RK2690

RACCORDO DI ESTREMITA' A 45°  
ORIENTABILE ORFS CON  
FILETTATURA TERMINALE METRICA  
CILINDRICO DIN 3852-1

45° ROTARY END UNIONS WITH  
MALE CYLINDRICAL METRIC  
CONNECTION DIN 3852-1

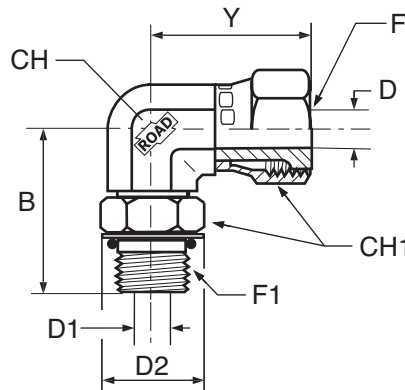


T	T	CODE	F	F1	B	Y	D	D1	CH	CH1	D2	Pressure	
Ø mm	Ø Poll.				mm	mm	mm	mm	mm	mm	mm	Wp	Max
06	1/4	RK2690 -06 -12	9/16-18	M12x1.5	16	30	5	4	14	17	17,7	250	350
08	5/16	RK2690 -08 -16	11/16-16	M16x1.5	19	33.5	6.5	7	19	22	22,9	250	350
10	3/8	RK2690 -10 -16	11/16-16	M16x1.5	19	33.5	6.5	7	19	22	22,9	250	350
12	1/2	RK2690 -12 -18	13/16-16	M18x1.5	20.5	37	9.5	9	19	24	25,5	250	350
14		RK2690 -14 -22	1-14	M22x1.5	23.5	44	12.5	12	24	27	29,2	250	350
15		RK2690 -15 -22	1-14	M22x1.5	23.5	44	12.5	12	24	27	29,2	250	350
16	5/8	RK2690 -16 -22	1-14	M22x1.5	23.5	44	12.5	12	24	27	29,2	250	350
18		RK2690 -18 -27	1-3/16-12	M27x2	26	50.5	15.5	15	27	32	34,1	250	330
20	3/4	RK2690 -20 -27	1-3/16-12	M27x2	26	50.5	15.5	15	27	32	34,1	250	330
22		RK2690 -22 -33	1-7/16-12	M33x2	30	52.5	20.5	20	36	41	43,6	250	330
25	1"	RK2690 -25 -33	1-7/16-12	M33x2	30	52.5	20.5	20	36	41	43,6	250	330
28		RK2690 -28 -42	1-11/16-12	M42x2	32	54	26	26	41	50	52,7	180	250
30		RK2690 -30 -42	1-7/16-12	M42x2	30	52.5	20.5	20	36	41	52,7	180	250
32	1"1/4	RK2690 -32 -42	1-7/16-12	M42x2	30	52.5	20.5	20	36	41	52,7	180	250
35		RK2690 -35 -48	2-12	M48x2	37	56.5	32	32	50	55	57,7	180	250
38	1"1/2	RK2690 -38 -48	2-12	M48x2	37	56.5	32	32	50	55	57,7	180	250



## RK2695

RACCORDO A 90° ORFS CON DADO  
GIREVOLE FILETTATURA  
ORIENTABILE UNF-2A  
90° ORFS UNION WITH ROTARY  
NUT AND MALE SEA CONNECTION

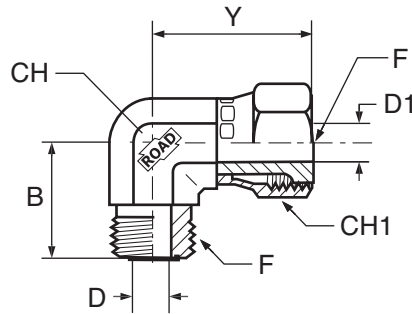


T	T	CODE	F	F1	B	Y	D	D1	CH	CH1	D2	Pressure	
Ø mm	Ø Poll.				mm	mm	mm	mm	mm	mm	mm	Wp	Max
06	1/4	RK2695-06-10	9/16-18	7/16-20	26.5	33	4.5	4.4	14	14	16,6	400	530
08	5/16	RK2695-08-14	11/16-16	9/16-18	29.5	36.8	6.5	6.5	19	19	19,8	400	530
10	3/8	RK2695-10-14	11/16-16	9/16-18	29.5	36.8	6.5	6.5	19	19	19,8	400	530
12	1/2	RK2695-12-19	13/16-16	3/4-16	38	40.6	9	9.5	19	24	26,9	400	530
14		RK2695-14-22	1-14	7/8-14	41	50	11.5	12.3	27	27	29,2	400	530
15		RK2695-15-22	1-14	7/8-14	41	50	11.5	12.3	27	27	29,2	400	530
16	5/8	RK2695-16-22	1-14	7/8-14	41	50	11.5	12.3	27	27	29,2	400	530
18		RK2695-18-27	1-3/16-12	1-1/16-12	46.5	55	14	15.5	30	32	34,7	400	530
20	3/4	RK2695-20-27	1-3/16-12	1-1/16-12	46.5	55	14	15.5	30	32	34,7	400	530
22		RK2695-22-33	1-7/16-12	1-5/16-12	53.5	59.7	20	20.5	36	38	43,6	320	400
25	1"	RK2695-25-33	1-7/16-12	1-5/16-12	53.5	59.7	20	20.5	36	38	43,6	320	400
28		RK2695-28-42	1-11/16-12	1-5/8-12	58	62.3	26	26	41	50	52,7	250	330
30		RK2695-30-42	1-11/16-12	1-5/8-12	58	62.3	26	26	41	50	52,7	250	330
32	1"1/4	RK2695-32-42	1-11/16-12	1-5/8-12	58	62.3	26	26	41	50	52,7	250	330
35		RK2695-35-48	2-12	1-7/8-12	61	66	32	32	48	55	57,7	250	330
38	1"1/2	RK2695-38-48	2-12	1-7/8-12	61	66	32	32	48	55	57,7	250	330



## RK2700

**RACCORDO INTERMEDIO A 90°  
ORFS CON DADO GIREVOLE  
90° INTERMEDIATE UNION WITH  
ROTARY NUT**



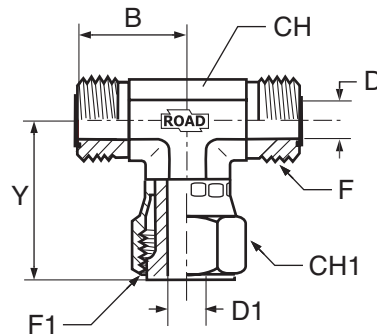
T	T	CODE	F	F1	B	Y	D	D1	CH	CH1	Pressure	
Ø mm	Ø Poll.				mm	mm	mm	mm	mm	mm	Wp	Max
06	1/4	RK2700-06-06	9/16-18	9/16-18	21.5	26.5	5	4.2	14	17	400	530
08	5/16	RK2700-08-08	11/16-16	11/16-16	25	29.5	6.5	6.5	19	22	400	530
10	3/8	RK2700-10-10	11/16-16	11/16-16	25	29.5	6.5	6.5	19	22	400	530
12	1/2	RK2700-12-12	13/16-16	13/16-16	28	38	9.5	9	19	24	400	530
14		RK2700-14-14	1-14	1-14	33.5	41	12.5	11.5	27	30	400	530
15		RK2700-15-15	1-14	1-14	33.5	41	12.5	11.5	27	30	400	530
16	5/8	RK2700-16-16	1-14	1-14	33.5	41	12.5	11.5	27	30	400	530
18		RK2700-18-18	1-3/16-12	1-3/16-12	37.5	46.5	15.5	14	30	36	400	530
20	3/4	RK2700-20-20	1-3/16-12	1-3/16-12	37.5	46.5	15.5	14	30	36	400	530
22		RK2700-22-22	1-7/16-12	1-7/16-12	41.5	53.5	20.5	20	41	41	400	530
25	1"	RK2700-25-25	1-7/16-12	1-7/16-12	41.5	53.5	20.5	20	41	41	400	530
28		RK2700-28-28	1-11/16-12	1-11/16-12	44.5	58	26	26	50	50	250	330
30		RK2700-30-30	1-11/16-12	1-11/16-12	44.5	58	26	26	50	50	250	330
32	1"1/4	RK2700-32-32	1-11/16-12	1-11/16-12	44.5	58	26	26	50	50	250	330
35		RK2700-35-35	2-12	2-12	49	61	32	32	60	60	200	330
38	1"1/2	RK2700-38-38	2-12	2-12	49	61	32	32	60	60	200	330



## RK2710

RACCORDO ORFS A T CON DADO  
GIREVOLE CENTRALE

T SHAPED ORFS WITH ROTATING  
NUT

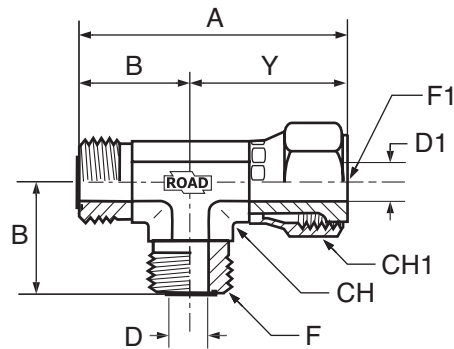


T	T	CODE	F	F1	B	Y	D	D1	CH	CH1	Pressure	
Ø mm	Ø Poll.				mm	mm	mm	mm	mm	mm	Wp	Max
06	1/4	RK2710-06-06	9/16-18	9/16-18	21.5	26.5	5	4.2	14	14	400	530
08	5/16	RK2710-08-08	11/16-16	11/16-16	25	29.5	6.5	6.5	19	19	400	530
10	3/8	RK2710-10-10	11/16-16	11/16-16	25	29.5	6.5	6.5	19	19	400	530
12	1/2	RK2710-12-12	13/16-16	13/16-16	28	38	9.5	9	19	24	400	530
14		RK2710-14-14	1-14	1-14	33.5	41	12.5	11.5	27	27	400	530
15		RK2710-15-15	1-14	1-14	33.5	41	12.5	11.5	27	27	400	530
16	5/8	RK2710-16-16	1-14	1-14	33.5	41	12.5	11.5	27	27	400	530
18		RK2710-18-18	1-3/16-12	1-3/16-12	37.5	46.5	15.5	14	30	32	400	530
20	3/4	RK2710-20-20	1-3/16-12	1-3/16-12	37.5	46.5	15.5	14	30	32	400	530
22		RK2710-22-22	1-7/16-12	1-7/16-12	41.5	53	20.5	20	36	38	400	530
25	1"	RK2710-25-25	1-7/16-12	1-7/16-12	41.5	53	20.5	20	36	38	400	530
28		RK2710-28-28	1-11/16-12	1-11/16-12	44.5	58	26	26	41	50	250	330
30		RK2710-30-30	1-11/16-12	1-11/16-12	44.5	58	26	26	41	50	250	330
32	1"1/4	RK2710-32-32	1-11/16-12	1-11/16-12	44.5	58	26	26	41	50	250	330
35		RK2710-35-35	2-12	2-12	49	61	32	32	48	55	200	330
38	1"1/2	RK2710-38-38	2-12	2-12	49	61	32	32	48	55	200	330



## RK2720

**RACCORDO ORFS A T CON DADO  
GIREVOLE LATERALE**  
**T SHAPED ORFS WITH ROTATING  
NUT**

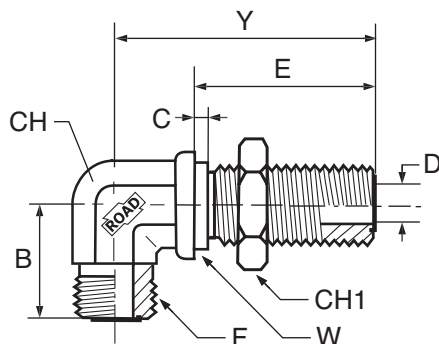


T	T	CODE	F	F1	A	B	Y	D	D1	CH	CH1	Pressure	
Ø mm	Ø Poll.				mm	mm	mm	mm	mm	mm	mm	Wp	Max
06	1/4	RK2720 -06 -06	9/16-18	9/16-18	48	21.5	26.5	5	4.2	14	14	400	530
08	5/16	RK2720 -08 -08	11/16-16	11/16-16	54.5	25	29.5	6.5	6.5	19	19	400	530
10	3/8	RK2720 -10 -10	11/16-16	11/16-16	54.5	25	29.5	6.5	6.5	19	19	400	530
12	1/2	RK2720 -12 -12	13/16-16	13/16-16	66	28	38	9.5	9	19	24	400	530
14		RK2720 -14 -14	1-14	1-14	74.5	33.5	41	12.5	11.5	27	27	400	530
15		RK2720 -15 -15	1-14	1-14	74.5	33.5	41	12.5	11.5	27	27	400	530
16	5/8	RK2720 -16 -16	1-14	1-14	74.5	33.5	41	12.5	11.5	27	27	400	530
18		RK2720 -18 -18	1-3/16-12	1-3/16-12	84	37.5	46.5	15.5	14	30	32	400	530
20	3/4	RK2720 -20 -20	1-3/16-12	1-3/16-12	84	37.5	46.5	15.5	14	30	32	400	530
22		RK2720 -22 -22	1-7/16-12	1-7/16-12	95	41.5	53	20.5	20	36	38	400	530
25	1"	RK2720 -25 -25	1-7/16-12	1-7/16-12	95	41.5	53	20.5	20	36	38	400	530
28		RK2720 -28 -28	1-11/16-12	1-11/16-12	102.5	44.5	58	26	26	41	50	250	330
30		RK2720 -30 -30	1-11/16-12	1-11/16-12	102.5	44.5	58	26	26	41	50	250	330
32	1"1/4	RK2720 -32 -32	1-11/16-12	1-11/16-12	102.5	44.5	58	26	26	41	50	250	330
35		RK2720 -35 -35	2-12	2-12	110	49	61	32	32	48	55	200	330
38	1"1/2	RK2720 -38 -38	2-12	2-12	110	49	61	32	32	48	55	200	330



# RK2730

RACCORDO ORFS A 90°  
PASSAPARATIA  
INTERMEDIATE 90° WALL  
CROSSOVER ORFS UNION

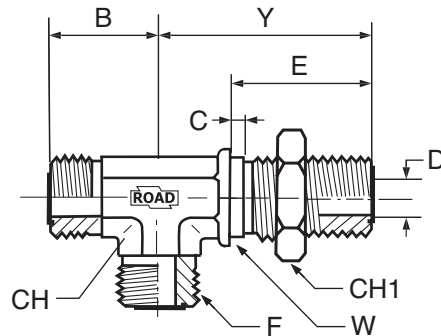


T	T	CODE	F	B	Y	D	CH	CH1	C	E	W	Pressure	
Ø mm	Ø Poll.			mm	mm	mm	mm	mm	mm	mm	mm	Wp	Max
06	1/4	RK2730-06-06	9/16-18	22.5	47	5	14	22	1.5	31.5	14.3	630	840
08	5/16	RK2730-08-08	11/16-16	26	52	6.5	19	27	1.5	34	17.5	630	840
10	3/8	RK2730-10-10	11/16-16	26	52	6.5	19	27	1.5	34	17.5	630	840
12	1/2	RK2730-12-12	13/16-16	29	55.5	9.5	19	30	2.5	36.5	20.6	630	840
14		RK2730-14-14	1-14	34.5	63	12.5	27	36	2.5	40.5	25.4	400	530
15		RK2730-15-15	1-14	34.5	63	12.5	27	36	2.5	40.5	25.4	400	530
16	5/8	RK2730-16-16	1-14	34.5	63	12.5	27	36	2.5	40.5	25.4	400	530
18		RK2730-18-18	1-3/16-12	38.5	67	15.5	30	41	3	38.5	30.2	400	530
20	3/4	RK2730-20-20	1-3/16-12	38.5	67	15.5	30	41	3	38.5	30.2	400	530
22		RK2730-22-22	1-7/16-12	42.5	71	20.5	36	46	3	42	36.5	400	530
25	1"	RK2730-25-25	1-7/16-12	42.5	71	20.5	36	46	3	42	36.5	400	530
28		RK2730-28-28	1-11/16-12	45.5	75.5	26	41	50	3	42	42	250	330
30		RK2730-30-30	1-11/16-12	45.5	75.5	26	41	50	3	42	42	250	330
32	1"1/4	RK2730-32-32	1-11/16-12	45.5	75.5	26	41	50	3	42	42	250	330
35		RK2730-35-35	2-12	49.5	79.5	32	48	60	3	42	50	200	330
38	1"1/2	RK2730-38-38	2-12	49.5	79.5	32	48	60	3	42	50	200	330



# RK2740

**RACCORDO ORFS INTERMEDIO A T  
PASSAPARATIA LATERALE**  
*INTERMEDIATE T WALL  
CROSSOVER ORFS UNION*



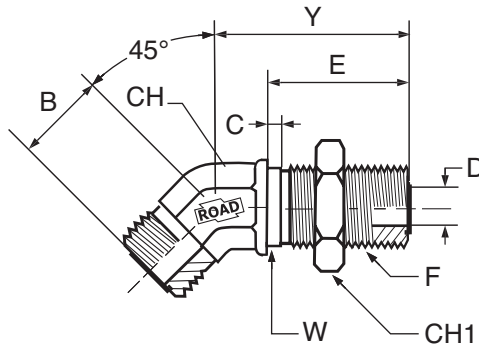
T	T	CODE	F	B	Y	D	CH	CH1	C	E	W	Pressure	
Ø mm	Ø Poll.			mm	mm	mm	mm	mm	mm	mm	mm	Wp	Max
06	1/4	RK2740-06-06	9/16-18	22.5	47	5	14	22	1.5	31.5	14.3	630	840
08	5/16	RK2740-08-08	11/16-16	26	52	6.5	19	27	1.5	34	17.5	630	840
10	3/8	RK2740-10-10	11/16-16	26	52	6.5	19	27	1.5	34	17.5	630	840
12	1/2	RK2740-12-12	13/16-16	29	55.5	9.5	19	30	2.5	36.5	20.6	630	840
14		RK2740-14-14	1-14	34.5	63	12.5	27	36	2.5	40.5	25.4	400	530
15		RK2740-15-15	1-14	34.5	63	12.5	27	36	2.5	40.5	25.4	400	530
16	5/8	RK2740-16-16	1-14	34.5	63	12.5	27	36	2.5	40.5	25.4	400	530
18		RK2740-18-18	1-3/16-12	38.5	67	15.5	30	41	3	41.5	30.2	400	530
20	3/4	RK2740-20-20	1-3/16-12	38.5	67	15.5	30	41	3	41.5	30.2	400	530
22		RK2740-22-22	1-7/16-12	42.5	71	20.5	36	46	3	42	36.5	400	530
25	1"	RK2740-25-25	1-7/16-12	42.5	71	20.5	36	46	3	42	36.5	400	530
28		RK2740-28-28	1-11/16-12	45.5	75.5	26	41	50	3	42	43	250	330
30		RK2740-30-30	1-11/16-12	45.5	75.5	26	41	50	3	42	43	250	330
32	1"1/4	RK2740-32-32	1-11/16-12	45.5	75.5	26	41	50	3	42	43	250	330
35		RK2740-35-35	2-12	49.5	79.5	32	50	60	3	42	50	200	330
38	1"1/2	RK2740-38-38	2-12	49.5	79.5	32	50	60	3	42	50	200	330



# RK2750

RACCORDO ORFS INTERMEDIO A  
45° PASSAPARATIA LATERALE

INTERMEDIATE 45° WALL  
CROSSOVER ORFS UNION



T	T	CODE	F	B	Y	D	CH	CH1	C	E	W	Pressure	
												Wp	Max
Ø mm	Ø Poll.			mm	mm	mm	mm	mm	mm	mm	mm		
06	1/4	RK2750-06-06	9/16-18	16	44	5	14	22	1.5	31.5	14.2	630	840
08	5/16	RK2750-08-08	11/16-16	19	48.5	6.5	19	27	1.5	34	34	630	840
10	3/8	RK2750-10-10	11/16-16	19	48.5	6.5	19	27	1.5	34	34	630	840
12	1/2	RK2750-12-12	13/16-16	20.5	51	9.5	19	30	2.5	36.5	20.6	630	840
14		RK2750-14-14	1-14	23.5	56.5	12.5	27	36	2.5	40.5	25.5	400	530
15		RK2750-15-15	1-14	23.5	56.5	12.5	27	36	2.5	40.5	25.5	400	530
16	5/8	RK2750-16-16	1-14	23.5	56.5	12.5	27	36	2.5	40.5	25.5	400	530
18		RK2750-18-18	1-3/16-12	26	60.5	15.5	30	41	3	41.5	30.2	400	530
20	3/4	RK2750-20-20	1-3/16-12	26	60.5	15.5	30	41	3	41.5	30.2	400	530
22		RK2750-22-22	1-7/16-12	30	65	20.5	36	46	3	42	36.5	400	530
25	1"	RK2750-25-25	1-7/16-12	30	65	20.5	36	46	3	42	36.5	400	530
28		RK2750-28-28	1-11/16-12	32	67	26	41	50	3	42	43	250	330
30		RK2750-30-30	1-11/16-12	32	67	26	41	50	3	42	43	250	330
32	1"1/4	RK2750-32-32	1-11/16-12	32	67	26	41	50	3	42	43	250	330
35		RK2750-35-35	2-12	37	67	32	50	60	3	42	50	200	330
38	1"1/2	RK2750-38-38	2-12	37	67	32	50	60	3	42	50	200	330

